

SUMMARY

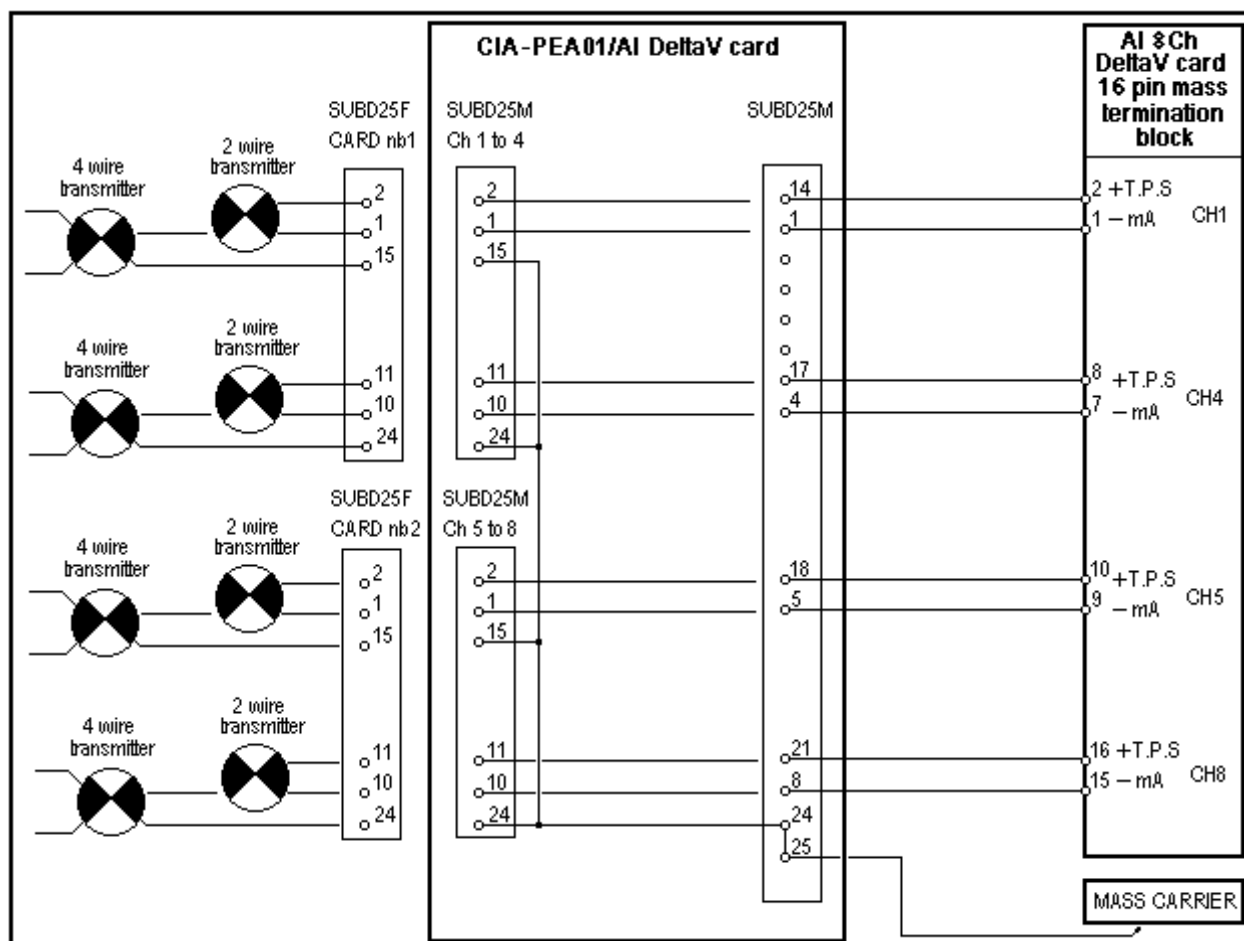
□ C.I.A FOR ANALOG SIGNALS:	2
○ ANALOG INPUT SIGNAL:.....	2
• C.I.A for PEA01 (4 channel Analog Input card):	2
• C.I.A for PEA02 (8 channel Analog Input card):.....	3
○ ANALOG OUTPUT SIGNAL:	5
• C.I.A for PAA01,(3 channel Analog Output card):	5
• C.I.A for PAA02,(4 channel Analog Output card):	6
□ C.I.A FOR DISCRETE SIGNALS:.....	7
○ DISCRETE INPUT SIGNAL:	7
• C.I.A FOR PEB01,PEB02 (15 Channel Discrete Input card):	7
• C.I.A FOR PEB03 (30 Channel Discrete Input card):	9
○ DISCRETE OUTPUT SIGNAL:.....	11
• C.I.A FOR PAB02 (15 channel discrete output card):.....	11
□ C.I.A FOR ANALOG OR DISCRETE SIGNALS:.....	12
○ C.I.A FOR PAR01 (1 ANALOG OUTPUT CHANNEL):	12
○ C.I.A FOR PAR02 (2 DISCRETE OUTPUT CHANNELS):	13



□ **C.I.A FOR ANALOG SIGNALS:**

○ **ANALOG INPUT SIGNAL:**

• **C.I.A for PEA01 (4 channel Analog Input card):**



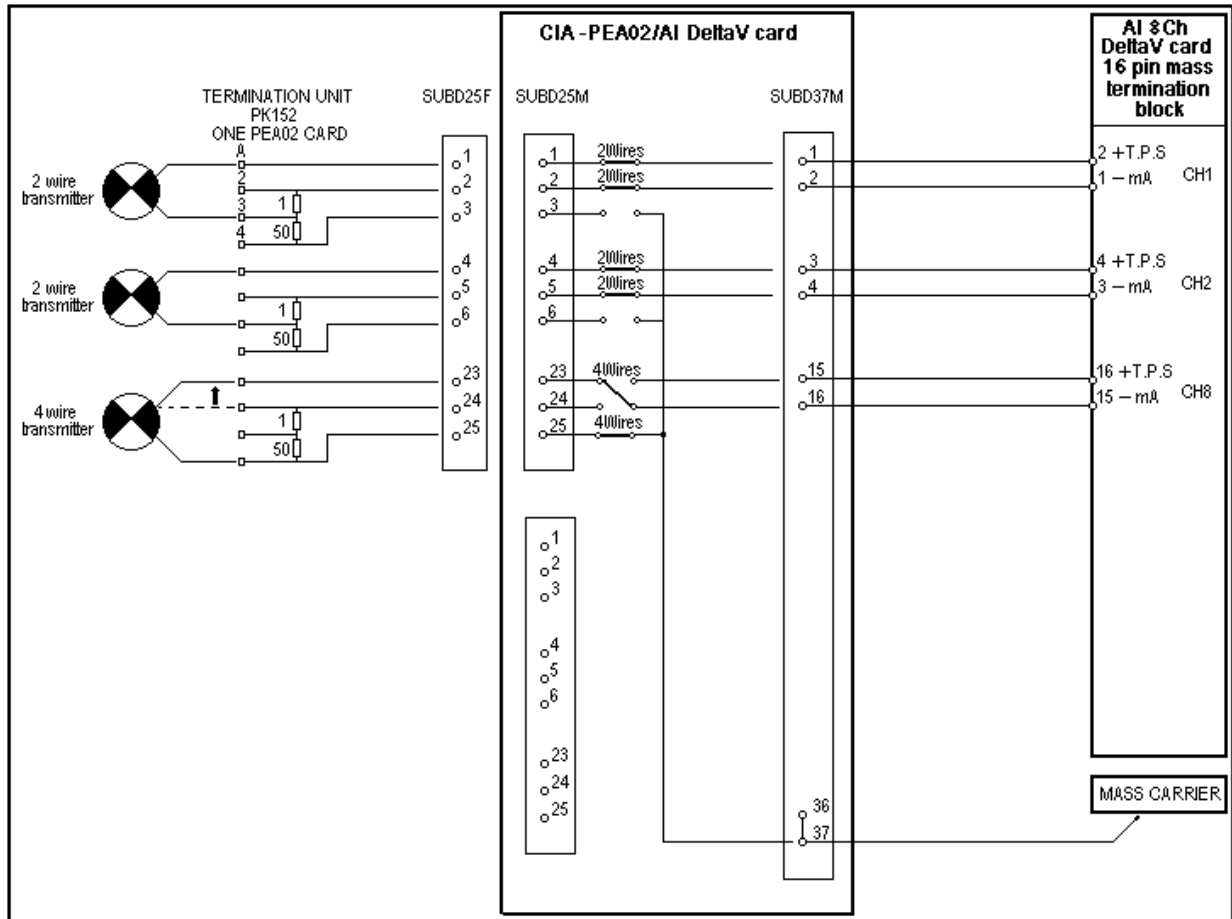
Two 4-channel Analog Input Contronic cards can be connected via the C.I.A-PEA01 to a AI 8 Ch DeltaV card.

Firelec Interface reference	DeltaV card reference	Cable reference
CIA-PEA01	VE4003S2B4	CBL-SUBD25FSHD/HE1016/435



• C.I.A for PEA02 (8 channel Analog Input card):

Using a 8 channel AI DeltaV card

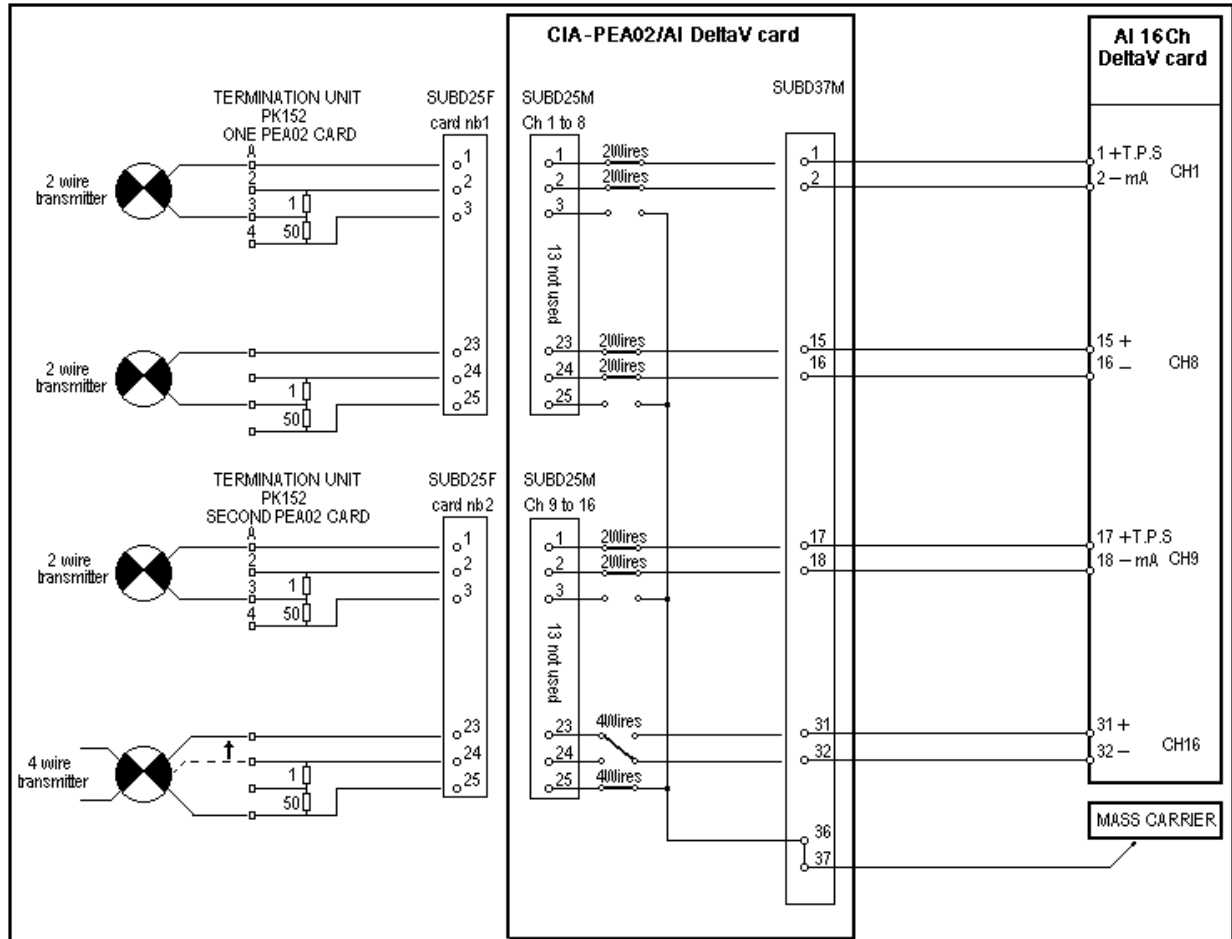


For 2 wire transmitter, no modification on existing wiring is to be applied
 For 4 wire transmitter, a modification on existing wiring is to be applied on terminal PK152, in order to connect the 4-20mA signal at the input of the DeltaV I/O card (see drawing here above).

Firelec Interface reference	DeltaV card reference	Cable reference
CIA-PEA02	VE4003S2B4	CBL-SUBD37FSHD/HE1016/584



Using a 16 channel AI DeltaV card



For 2 wire transmitter, no modification on existing wiring is to be applied

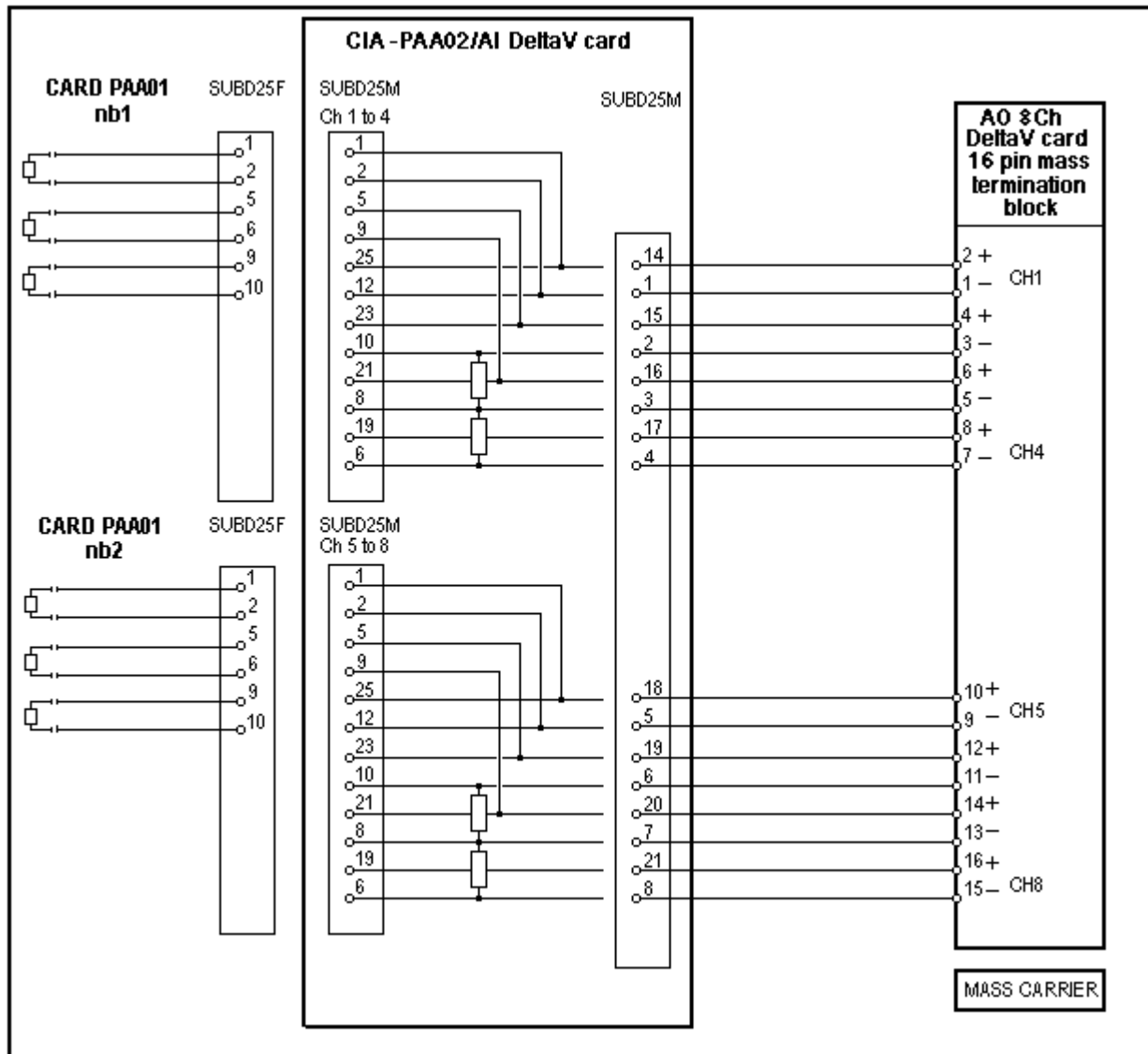
For 4 wire transmitter, a modification on existing wiring is to be applied on terminal PK152, in order to connect the 4-20mA signal at the input of the DeltaV I/O card (see drawing here above).

Firelec Interface reference	DeltaV card reference	Cable reference
CIA-PEA02	VE4003S2B6	CBL-SUBD37FSHD/34W/348



○ ANALOG OUTPUT SIGNAL:

- C.I.A for PAA01,(3 channel Analog Output card):

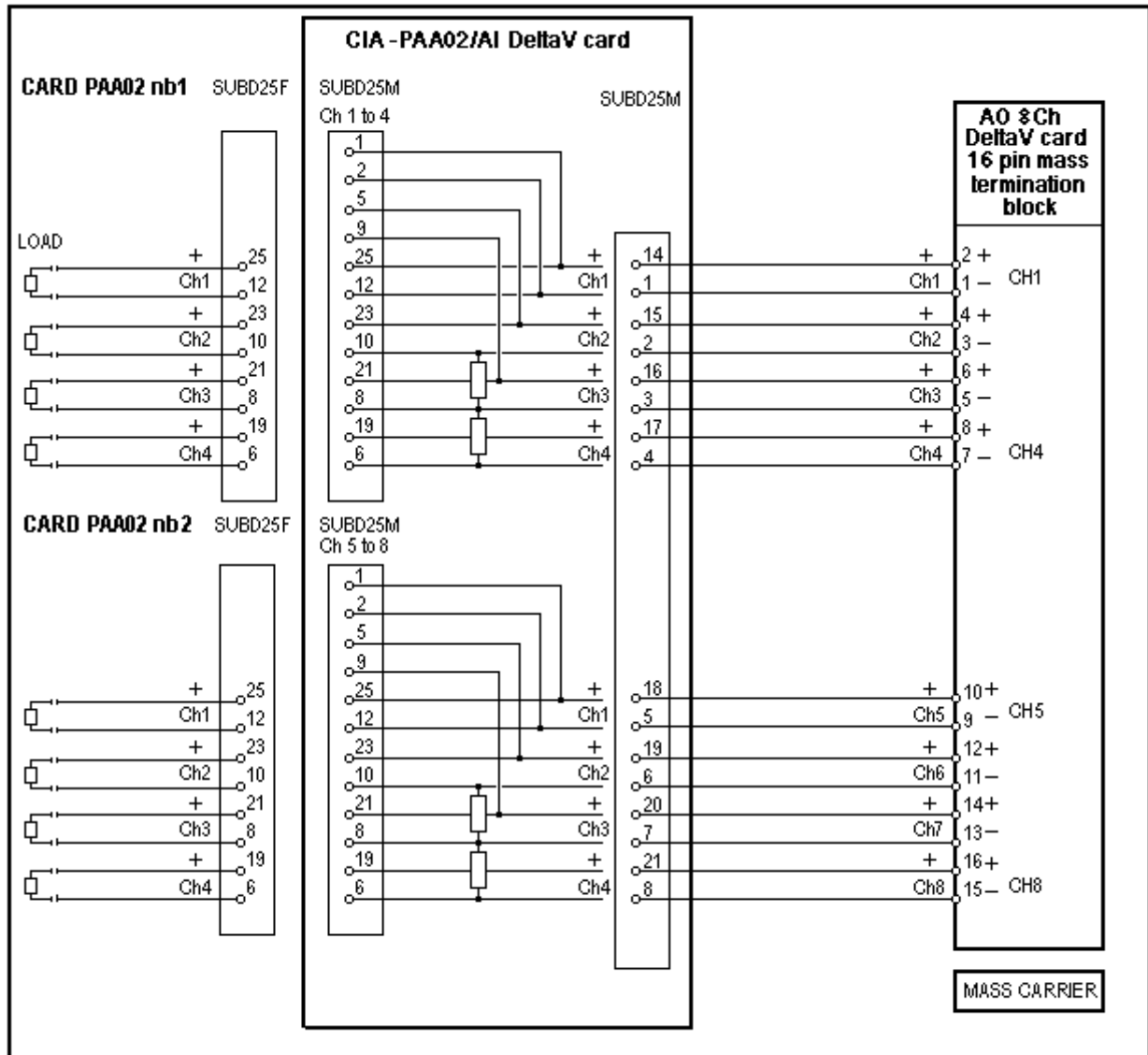


Two 3 channel Analog Output Contronic cards can be connected via the C.I.A-PAA02 to an AO 8 Ch DeltaV card.

Firelec Interface reference	DeltaV card reference	Cable reference
CIA-PAA02	VE4005S2B3	CBL-SUBD25FSHD/HE1016/350



• C.I.A for PAA02,(4 channel Analog Output card):



Two 4 channel Analog Output Contronic cards can be connected via the C.I.A-PAA02 to an AO 8 Ch DeltaV card.

Firelec Interface reference	DeltaV card reference	Cable reference
CIA-PAA02	VE4005S2B3	CBL-SUBD25FSHD/HE1016/350

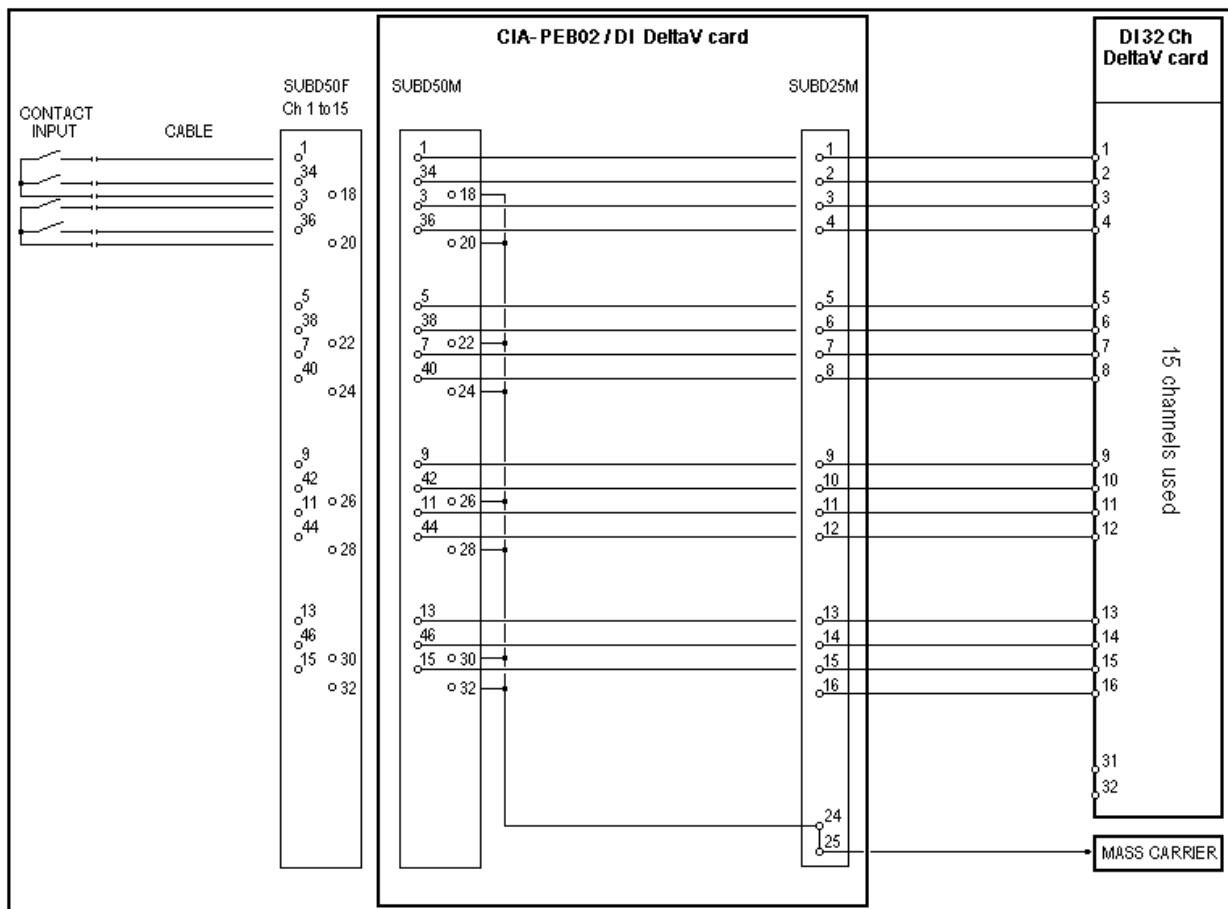


□ **C.I.A FOR DISCRETE SIGNALS:**

○ **DISCRETE INPUT SIGNAL:**

- **C.I.A FOR PEB01,PEB02 (15 Channel Discrete Input card):**

Non isolating input:

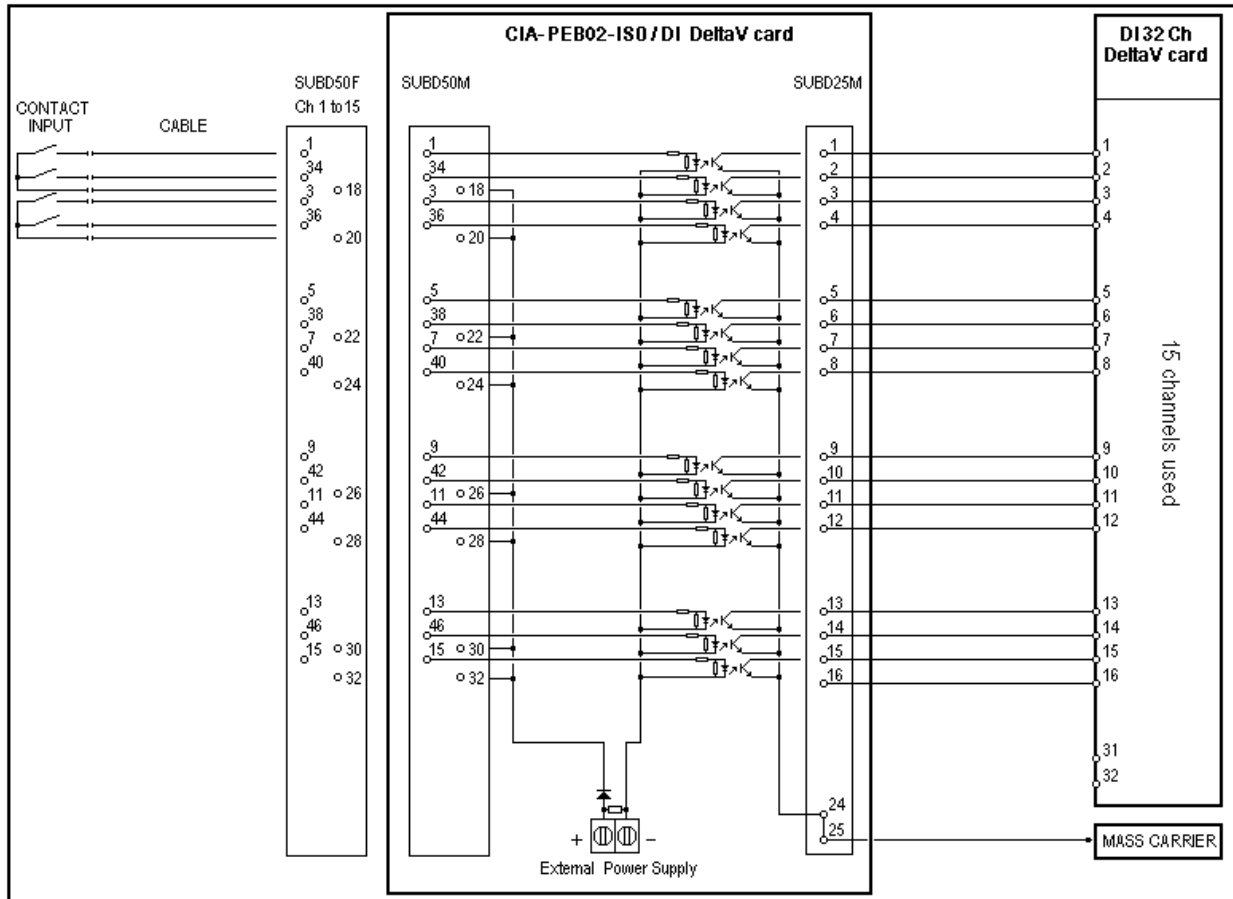


Half of the DeltaV DI card being used, two CIAs can be connected to the DeltaV I/O card Dry contact input powered by the internal deltaV card 24Vdc.

Firelec Interface reference	DeltaV card reference	Cable reference
CIA-PEB02	VE4001S2T2B5	CBL-SUBD25FSHD/HE1020/585A-B



Isolating input:



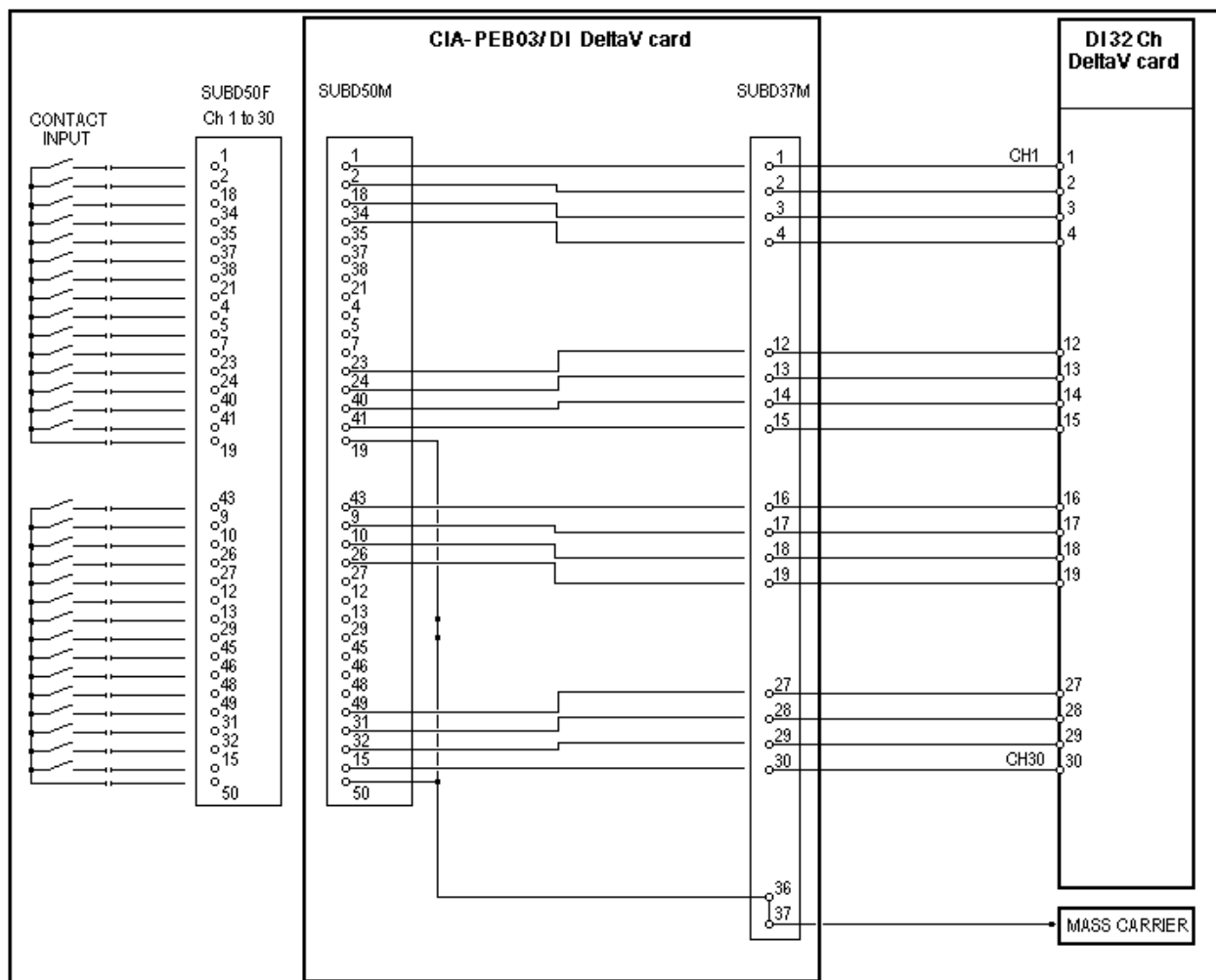
Half of the DeltaV DI card being used, two CIAs can be connected to the DeltaV I/O card Dry contact or proximity switch input powered by an external isolating power supply. So each input is isolated from the DeltaV 24Vdc Power supply.

Firelec Interface reference	DeltaV card reference	Cable reference
CIA-PEB02-ISO-*VDC	VE4001S2T2B5	CBL-SUBD25FSDH /HE1020/585A-B



• C.I.A FOR PEB03 (30 Channel Discrete Input card):

Non isolating input:

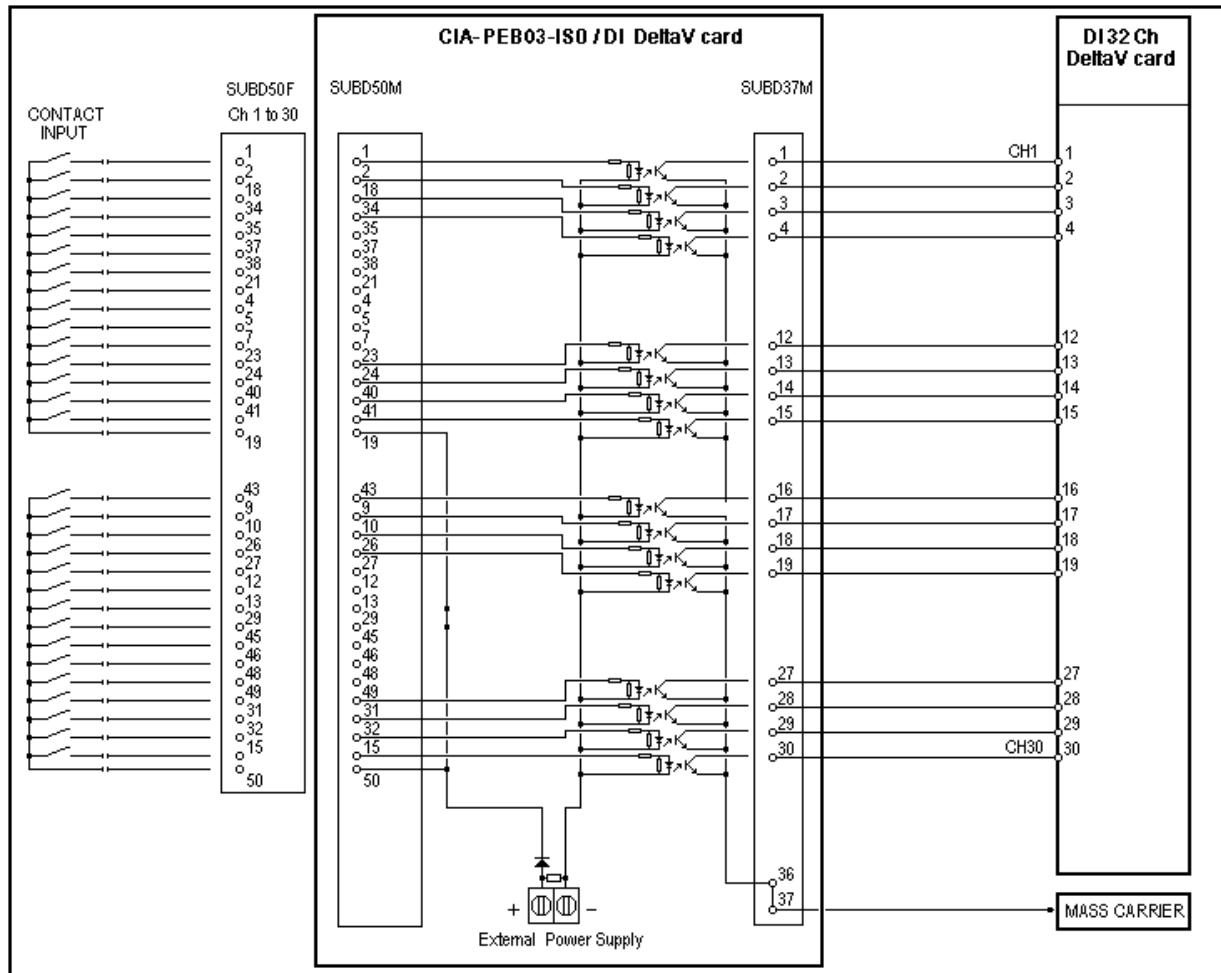


Dry contact input powered by the internal deltaV card 24Vdc.

Firelec Interface reference	DeltaV card reference	Cable reference
CIA-PEB03	VE4001S2T2B5	CBL-SUBD37FSHD /2HE1020/496
CIA-PEB03	VE4001S2T2B4	CBL-SUBD37FSHD/34W/348



Isolating input:



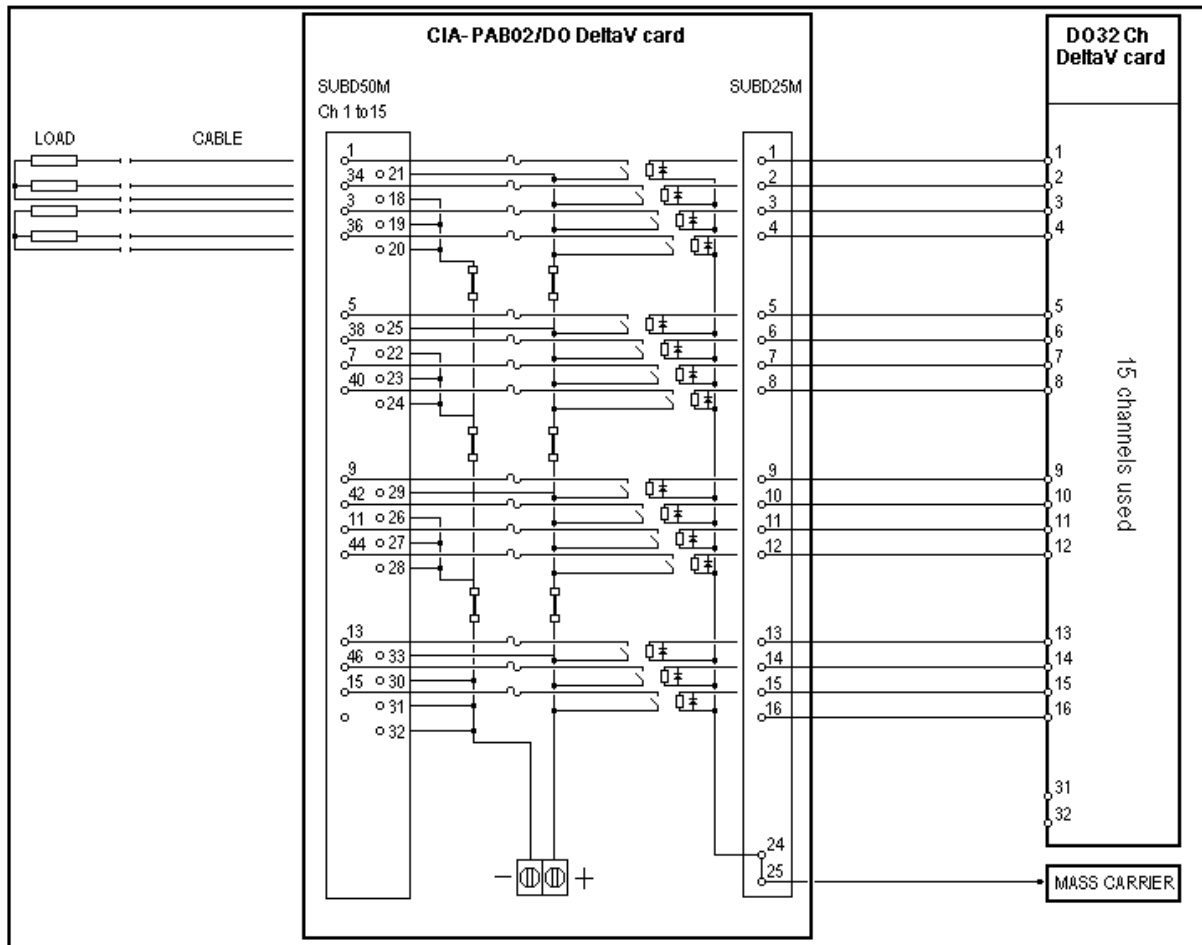
Dry contact or proximity switch input powered by an external isolating power supply. So each input is isolated from the DeltaV 24Vdc Power supply.

Firelec Interface reference	DeltaV card reference	Cable reference
CIA-PEB03-ISO*DC	VE4001S2T2B5	CBL-SUBD37FSHD /2HE1020/496
CIA-PEB03-ISO*DC	VE4001S2T2B4	CBL-SUBD37FSHD/34W/348



○ DISCRETE OUTPUT SIGNAL:

- C.I.A FOR PAB02 (15 channel discrete output card):

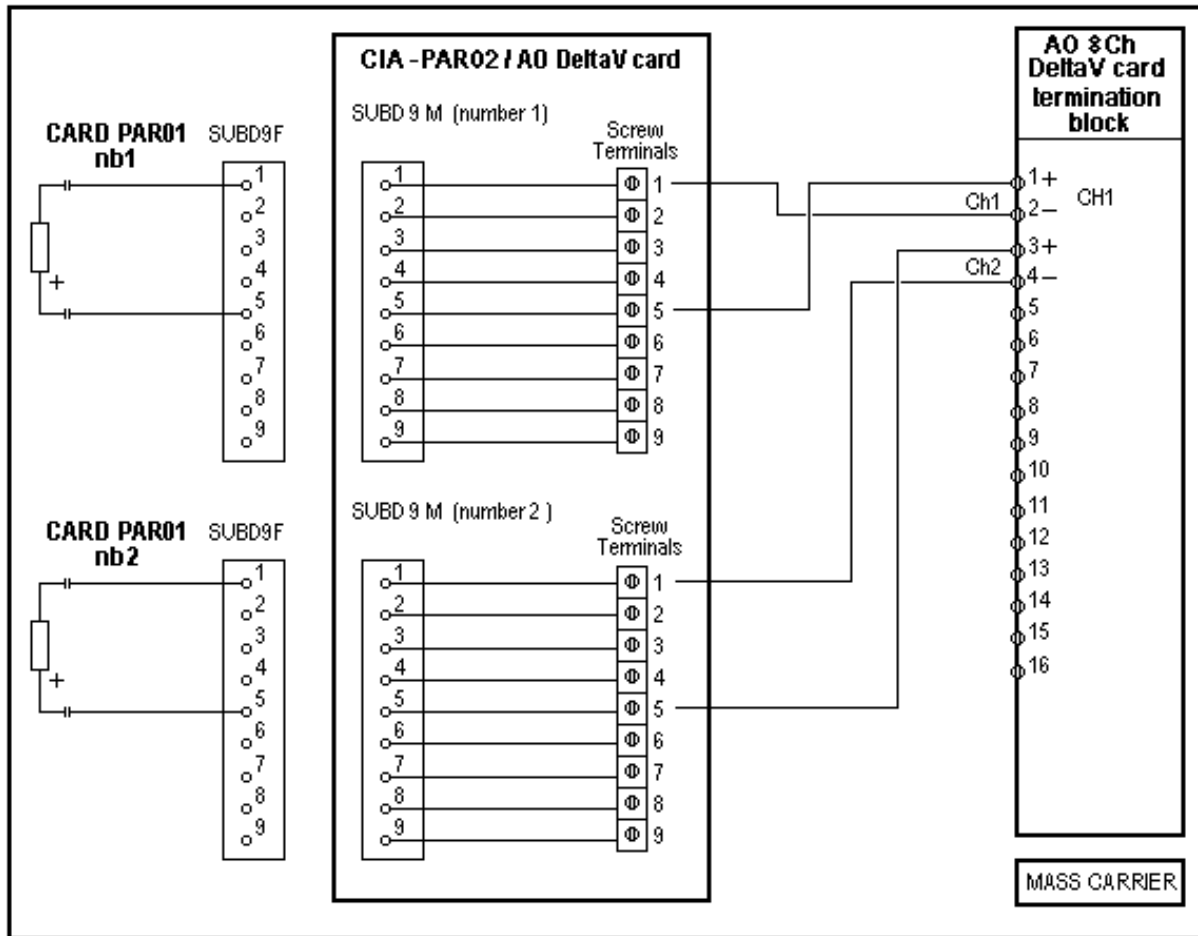


Half of the DeltaV DO card being used, two CIAs can be connected to the DeltaV I/O card

Firelec Interface reference	DeltaV card reference	Cable reference
CIA-PAB02-ER	VE4002S1T2B6	CBL-SUBD25FSDH /HE1020/585A-B



- C.I.A FOR ANALOG OR DISCRETE SIGNALS:
 - C.I.A FOR PAR01 (1 ANALOG OUTPUT CHANNEL):

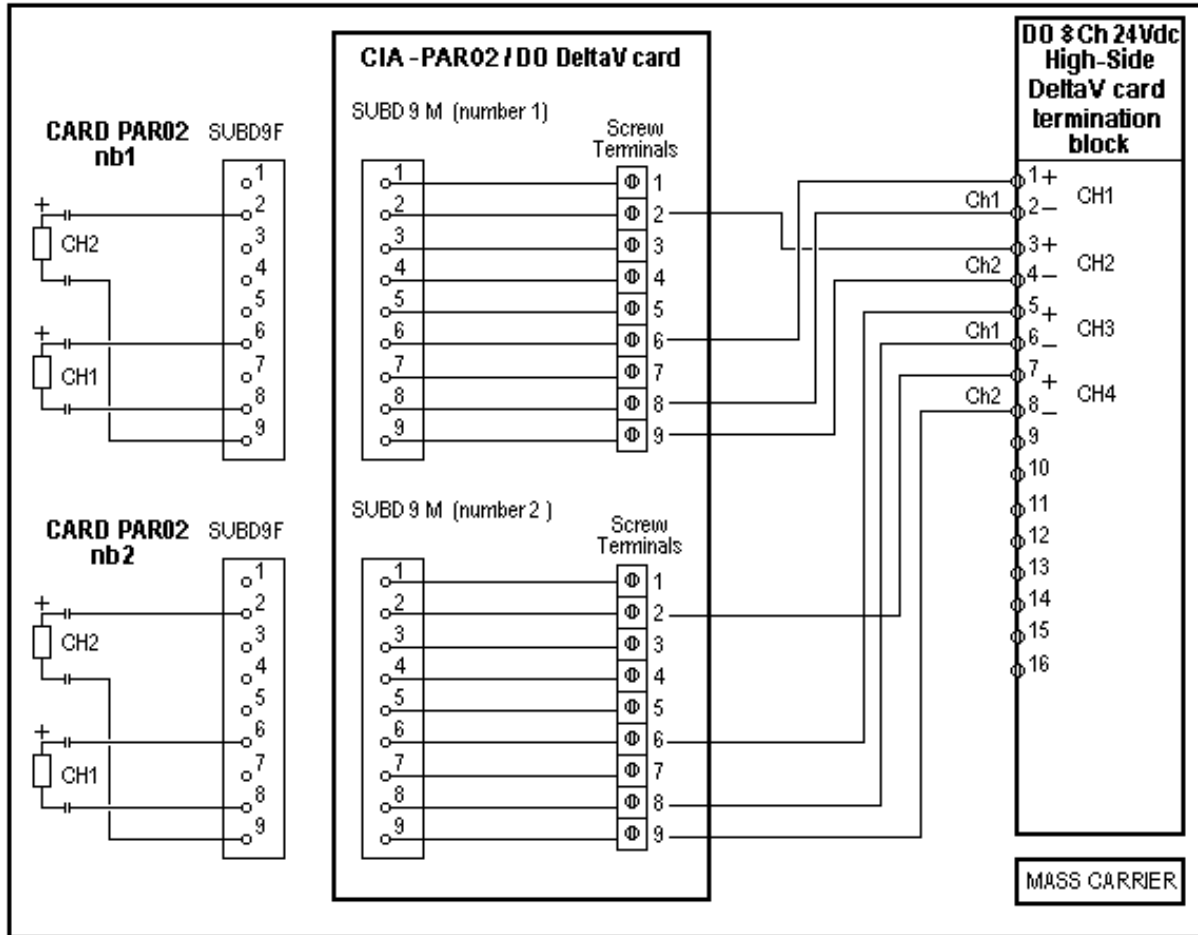


Up to two PAR01 Contronic card can be connected to the CIA-PAR02

Firelec Interface reference	DeltaV card reference	Cable reference
CIA-PAR02	VE4005S1B1	Flying labeled wires



○ C.I.A FOR PAR02 (2 DISCRETE OUTPUT CHANNELS):



Up to two PAR02 Contronic card can be connected to the CIA-PAR02

Firelec Interface reference	DeltaV card reference	Cable reference
CIA-PAR02	VE4002S1T2B1	Flying labeled wires

