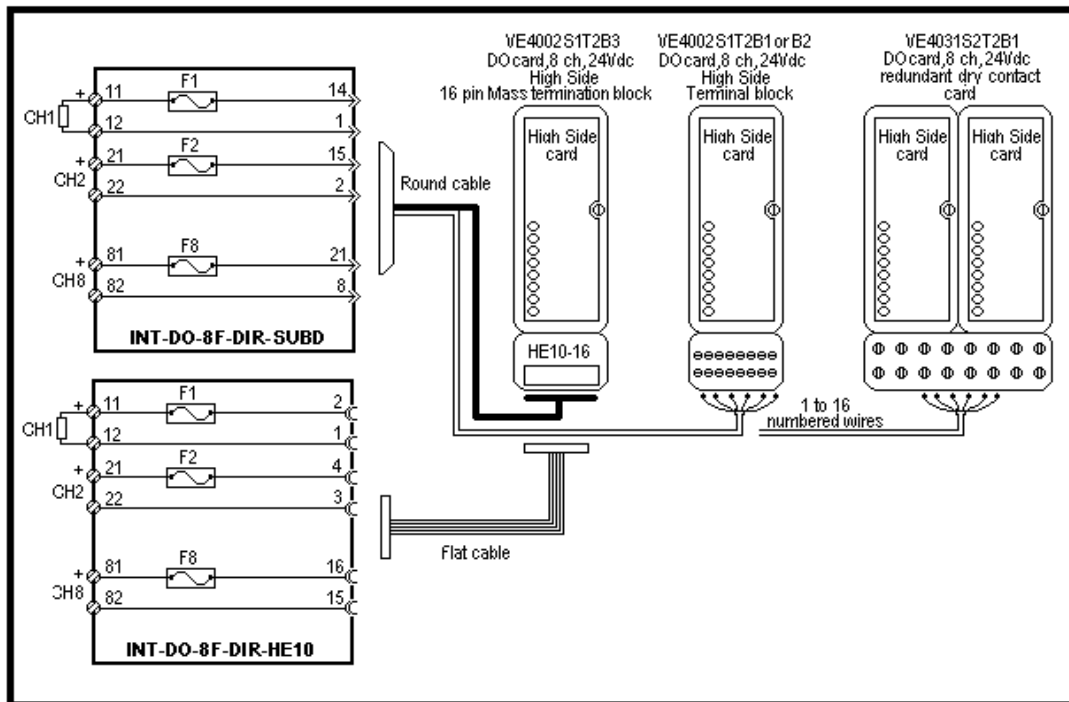


## DISCRETE OUTPUT SIMPLEX AND REDUNDANT FIELD WIRING CONNECTIONS

□	DISCRETE OUTPUT, 8 channel, 24Vdc, High-Side. ....	2
○	Direct Output .....	2
○	Relay Output .....	2
□	DISCRETE OUTPUT, 8 channel, 24Vdc, isolated. ....	5
□	DISCRETE OUTPUT, 8 channel, 115/230 Vac, isolated.....	6
□	DISCRETE OUTPUT, 8 channel, 115/230 Vac, High-Side.....	6
□	I.S DISCRETE OUTPUT, 8 channel, isolated. ....	7
□	DISCRETE OUTPUT, 32 channel, 24 Vdc, High-Side.....	8
○	Direct Output .....	8
○	Relay Output .....	9
□	I.S DISCRETE OUTPUT, 16 channel, isolated. ....	10

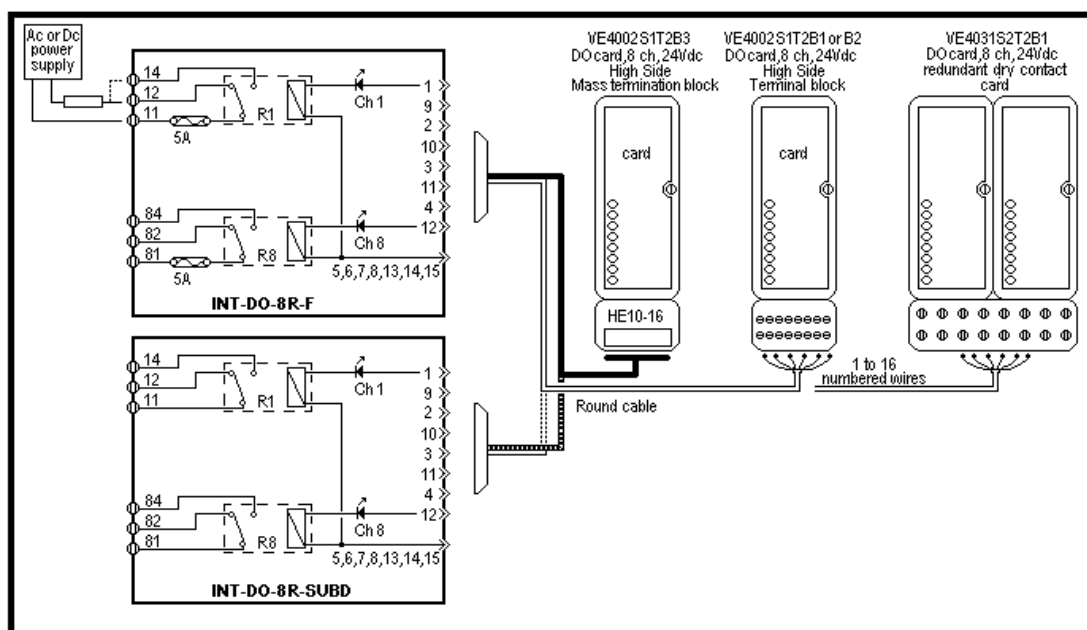
□ **DISCRETE OUTPUT, 8 channel, 24Vdc, High-Side.**

○ **Direct Output**

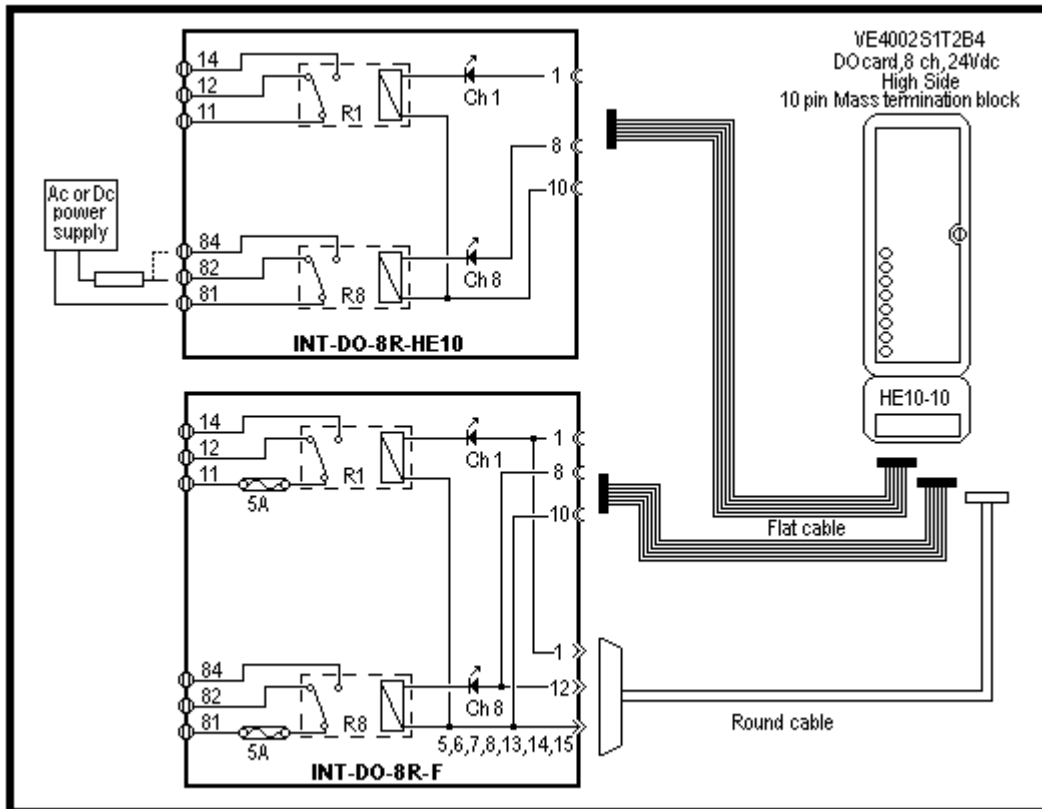


Firelec Interface reference	Input specifications
INT-DO-8F-DIR-SUBD or HE10	One fuse 2A per Channel 24 to 12 AWG (0.2 to 2.5 mm <sup>2</sup> ) terminal capacity

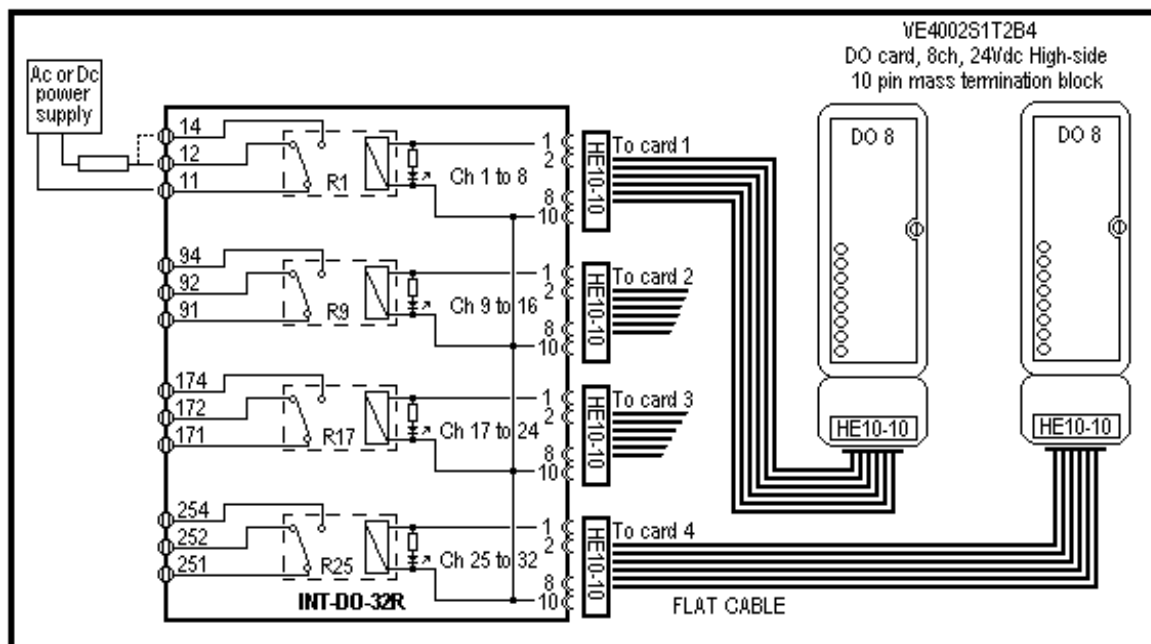
○ **Relay Output**



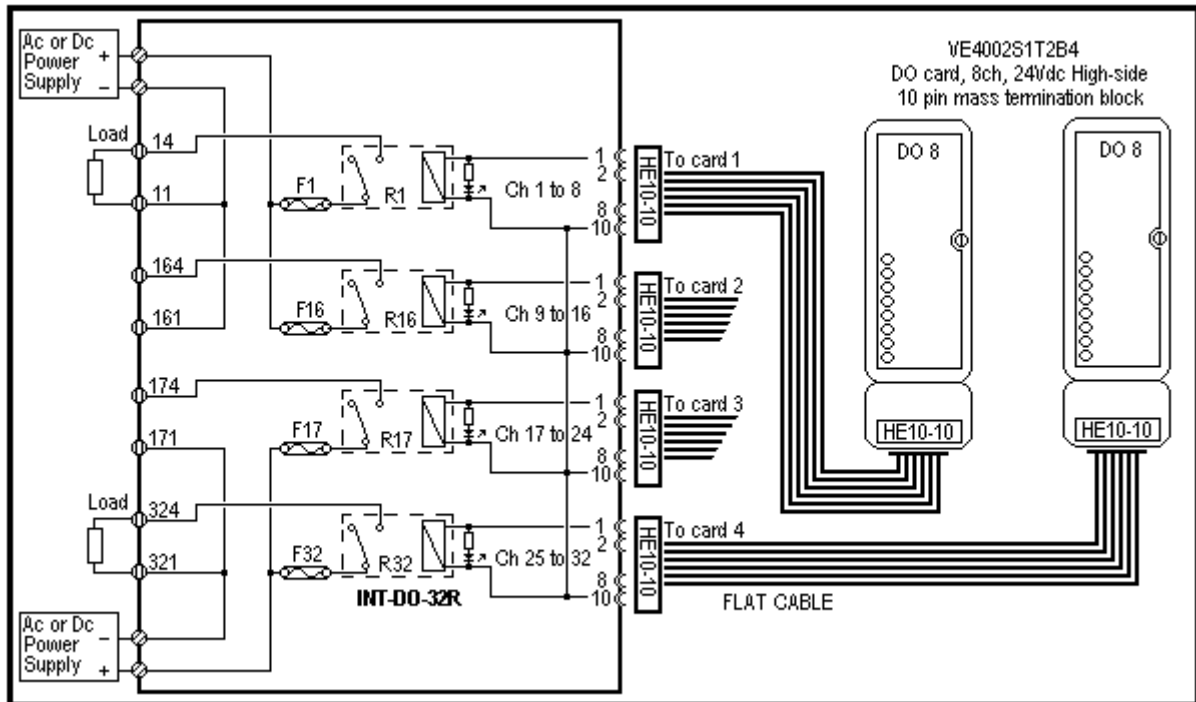
Firelec Interface reference	Input specifications
INT-DO-8R-SUBD INT-DO-8R-F	No fuse, one LED per channel One 5A fuse and one LED per channel 24 to 12 AWG (0,2 to 2,5mm <sup>2</sup> ) terminal capacity



Firelec Interface reference	Input specifications
INT-DO-8R-HE10	No fuse, one LED per channel
INT-DO-8R-F	One 5A fuse and one LED per channel
	24 to 12 AWG (0,2 to 2,5mm <sup>2</sup> ) terminal capacity

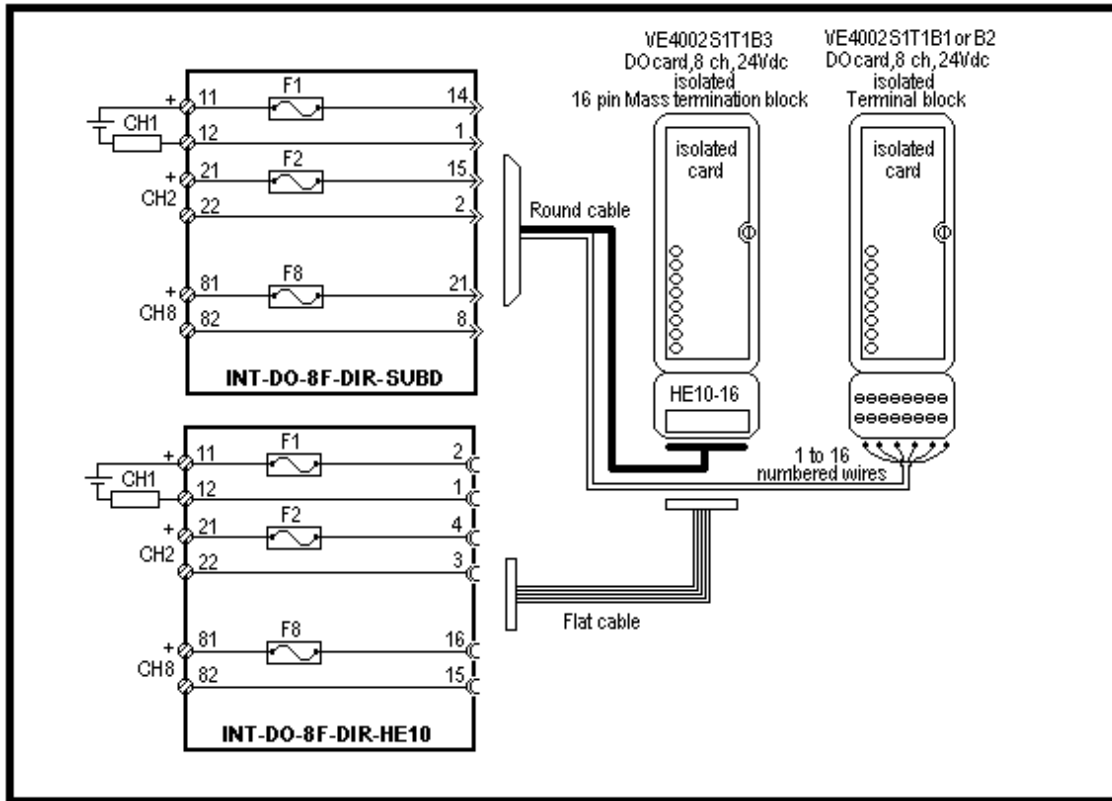


Firelec Interface reference	Input specifications
INT-DO-32R	No fuse, one LED per channel
	8 relays are used for one card ( rating 6A 250Vac)
	Solid state relays can be used (rating 2A 48Vdc)
	24 to 12 AWG (0,2 to 2,5mm <sup>2</sup> ) terminal capacity



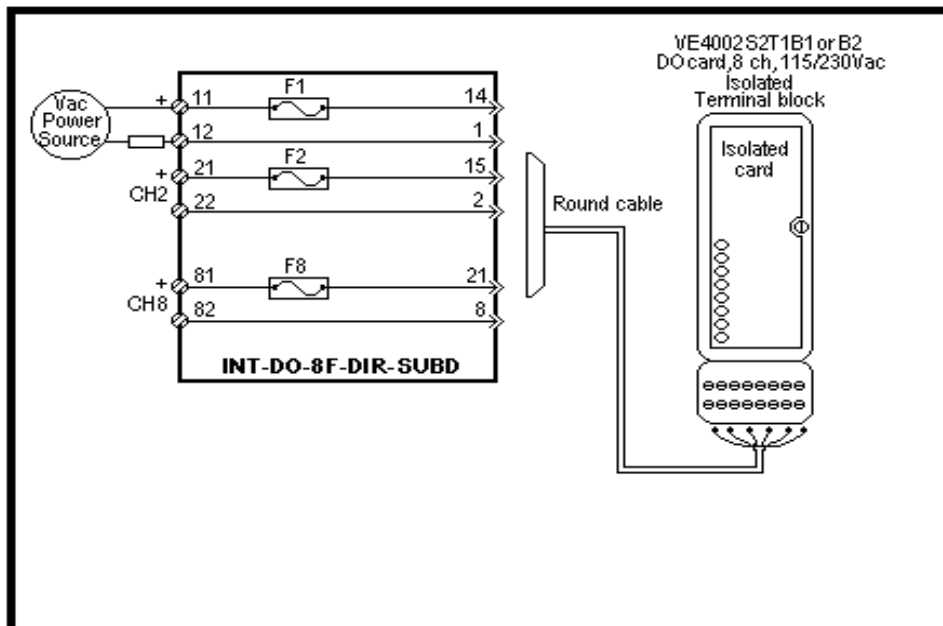
Firelec Interface reference	Input specifications
INT-DO-32R-F	One 5A fuse (250Vac) per channel Output contact powered by external PS ( by group of 16 channels, 16A max per group) 8 relays are used for one card ( rating 6A 250Vac) Solid state relays can be used (rating 2A 48Vdc) No extra terminal needed for wiring 24 to 12 AWG (0,2 to 2,5mm <sup>2</sup> ) terminal capacity

## DISCRETE OUTPUT, 8 channel, 24Vdc, isolated.



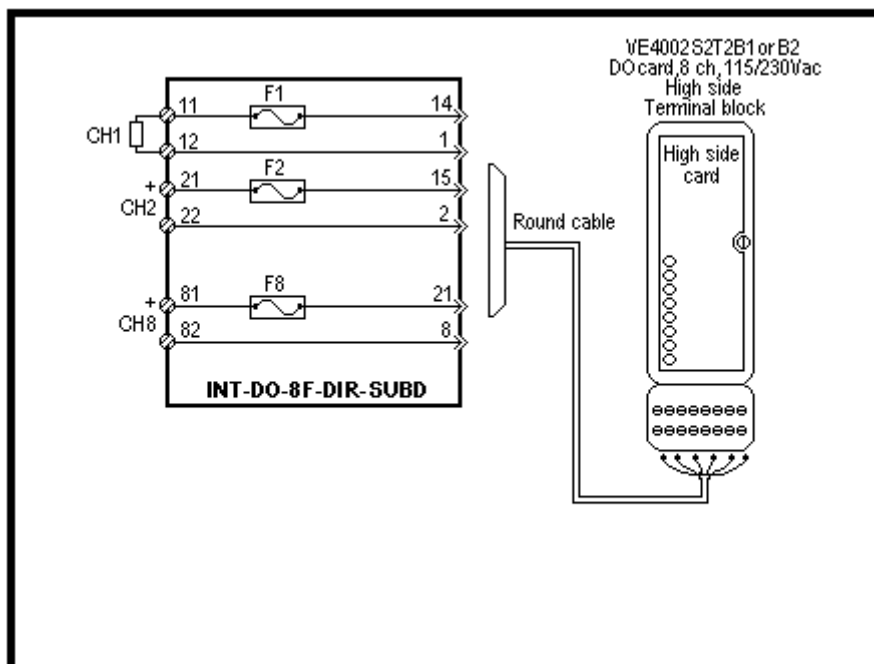
Firelec Interface reference	Input specifications
INT-DO-8F-DIR-SUBD or HE10	One fuse 2A per Channel 24 to 12 AWG (0.2 to 2.5 mm <sup>2</sup> ) terminal capacity

- DISCRETE OUTPUT, 8 channel, 115/230 Vac, isolated.



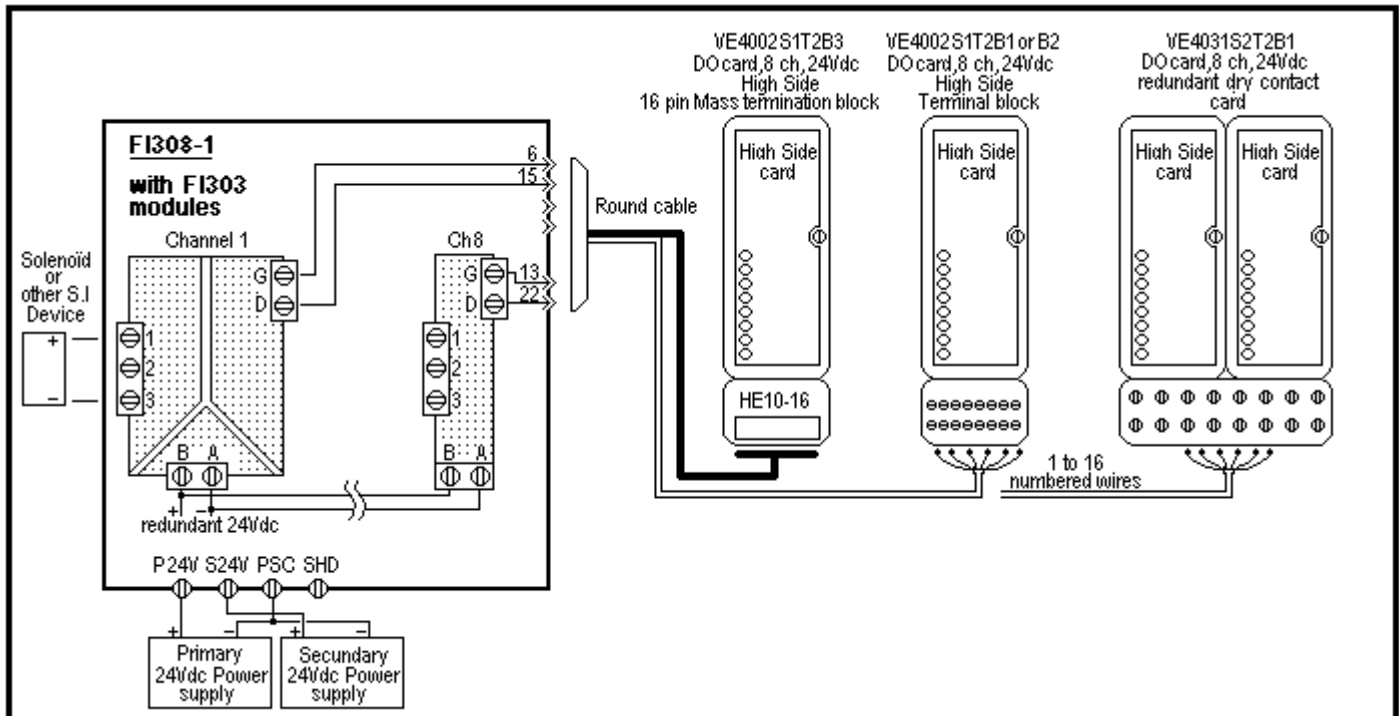
Firelec Interface reference	Input specifications
INT-DO-8F-DIR-SUBD	One fuse 2A per Channel 24 to 12 AWG (0.2 to 2.5 mm <sup>2</sup> ) terminal capacity

- DISCRETE OUTPUT, 8 channel, 115/230 Vac, High-Side.



Firelec Interface reference	Input specifications
INT-DO-8F-DIR-SUBD	One fuse 2A per Channel 24 to 12 AWG (0.2 to 2.5 mm <sup>2</sup> ) terminal capacity

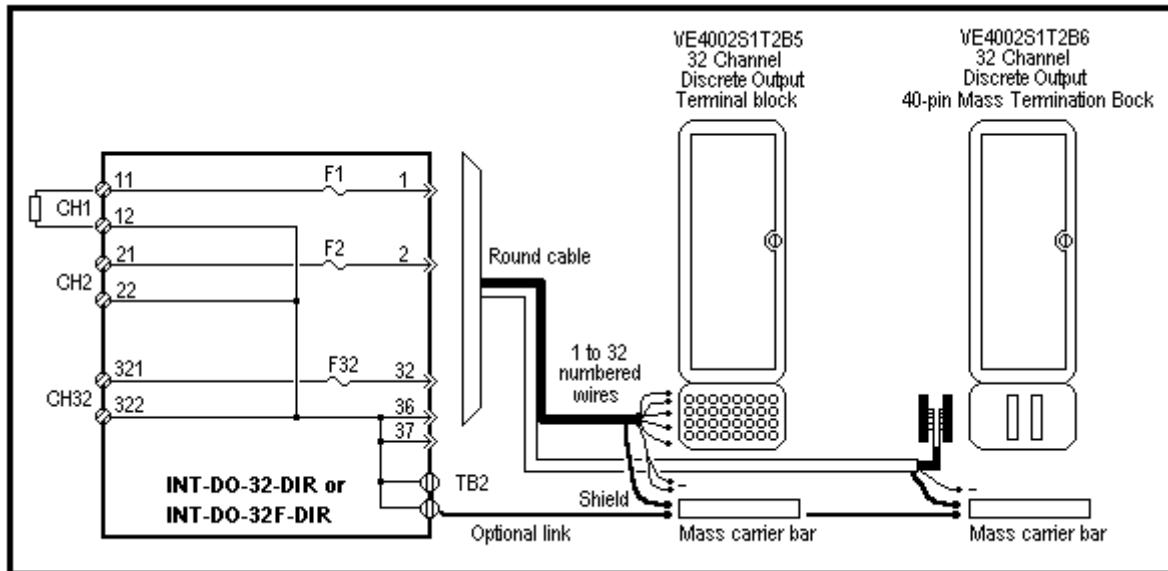
□ **I.S DISCRETE OUTPUT, 8 channel, isolated.**



Firelec Interface reference	Input specifications
FI308-1 With FI303 modules	Termination panel for 8 x I.S modules series FI

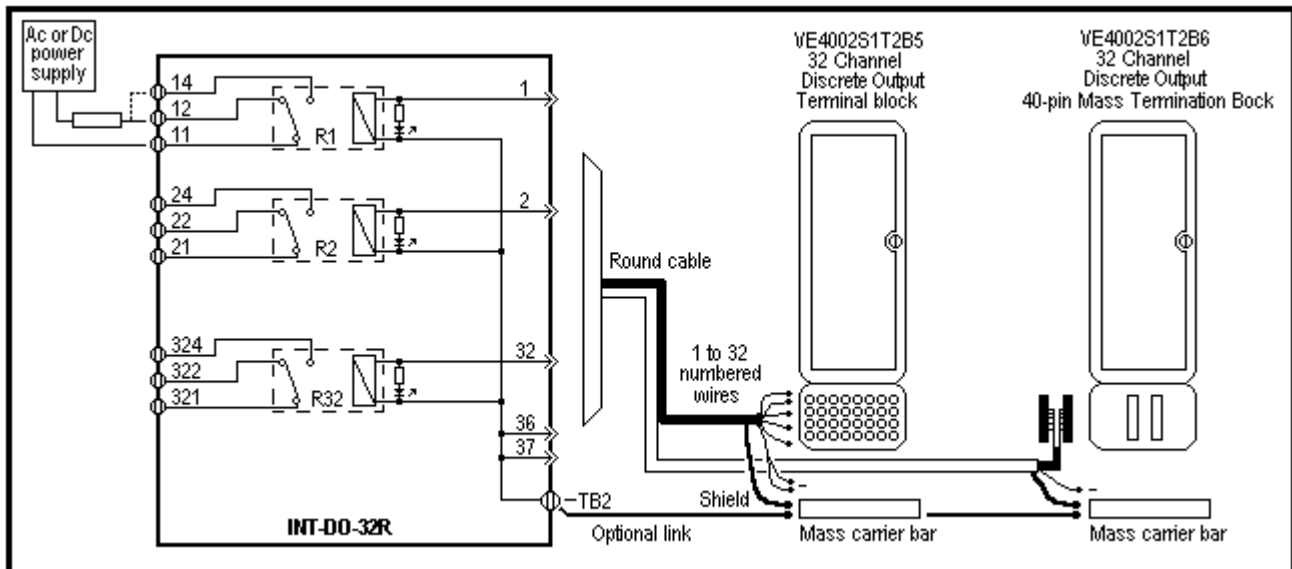
□ **DISCRETE OUTPUT, 32 channel, 24 Vdc, High-Side.**

○ **Direct Output**

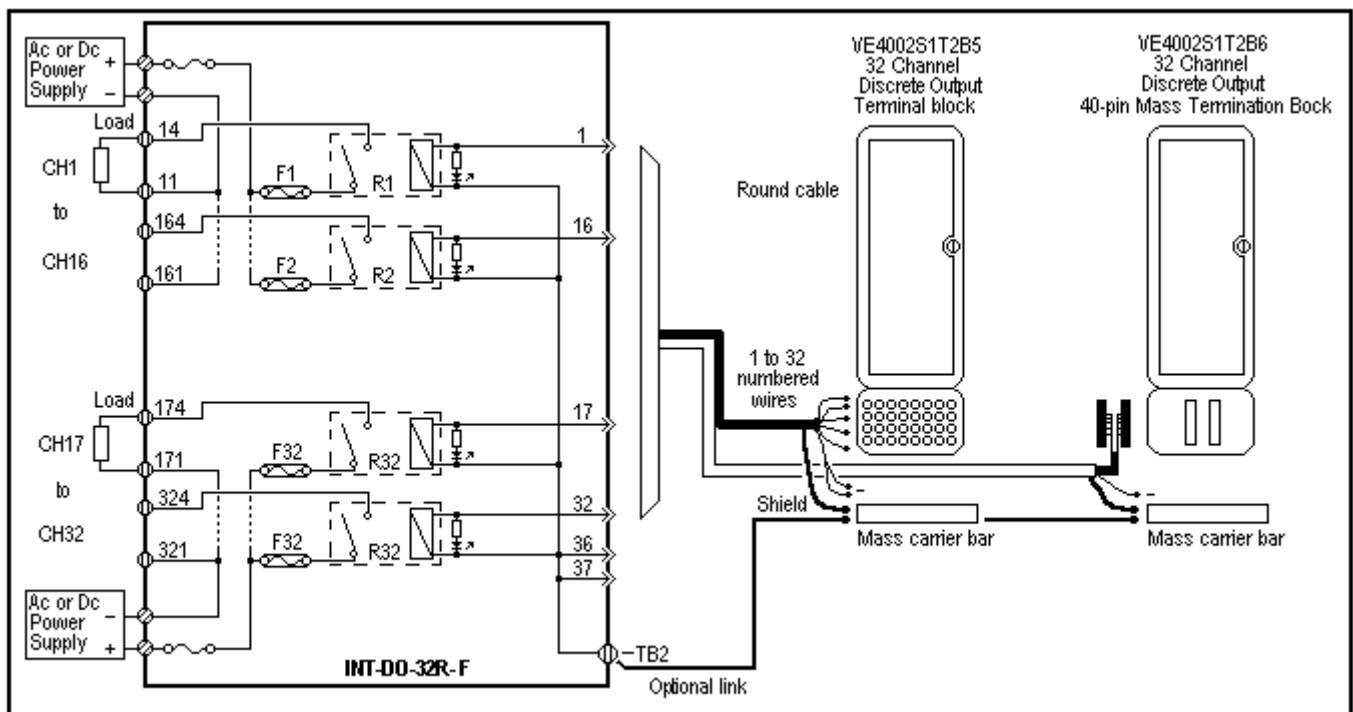


Firelec Interface reference	Input specifications
INT-DO-32-DIR INT-DO-32F-DIR	No fuse One 0.5A fuse per channel 26 to 14 AWG (0.2 to 1.5 mm <sup>2</sup> ) terminal capacity

○ Relay Output



Firelec Interface reference	Input specifications
INT-DO-32R	No fuse Contact rating : 6A 250Vac or 24Vdc Solid state relays can be used (rating 2A 48Vdc) 24 to 12 AWG (0,2 to 2,5mm <sup>2</sup> ) terminal capacity



Firelec Interface reference	Input specifications
INT-DO-32R-F	One 5A fuse (250Vac) per channel Output contact powered by external PS ( by group of 16 channels, 16A max per group) Solid state relays can be used (rating 2A 48Vdc) No extra terminal needed for wiring 24 to 12 AWG (0,2 to 2,5mm <sup>2</sup> ) terminal capacity

□ **I.S DISCRETE OUTPUT, 16 channel, isolated.**

