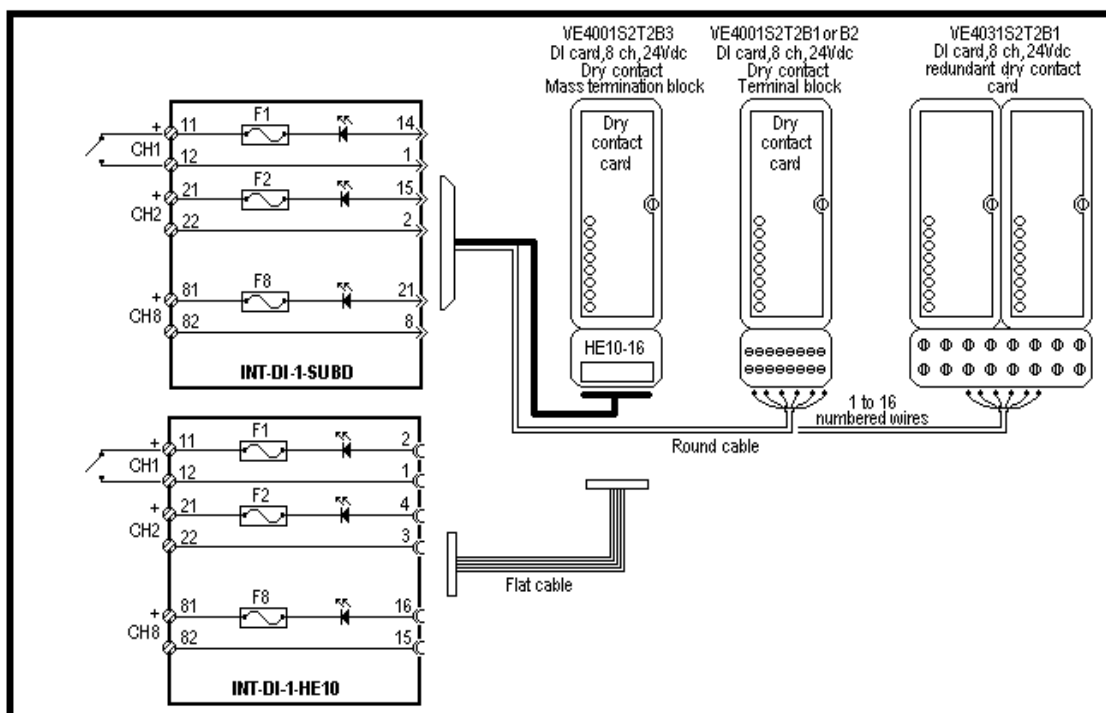


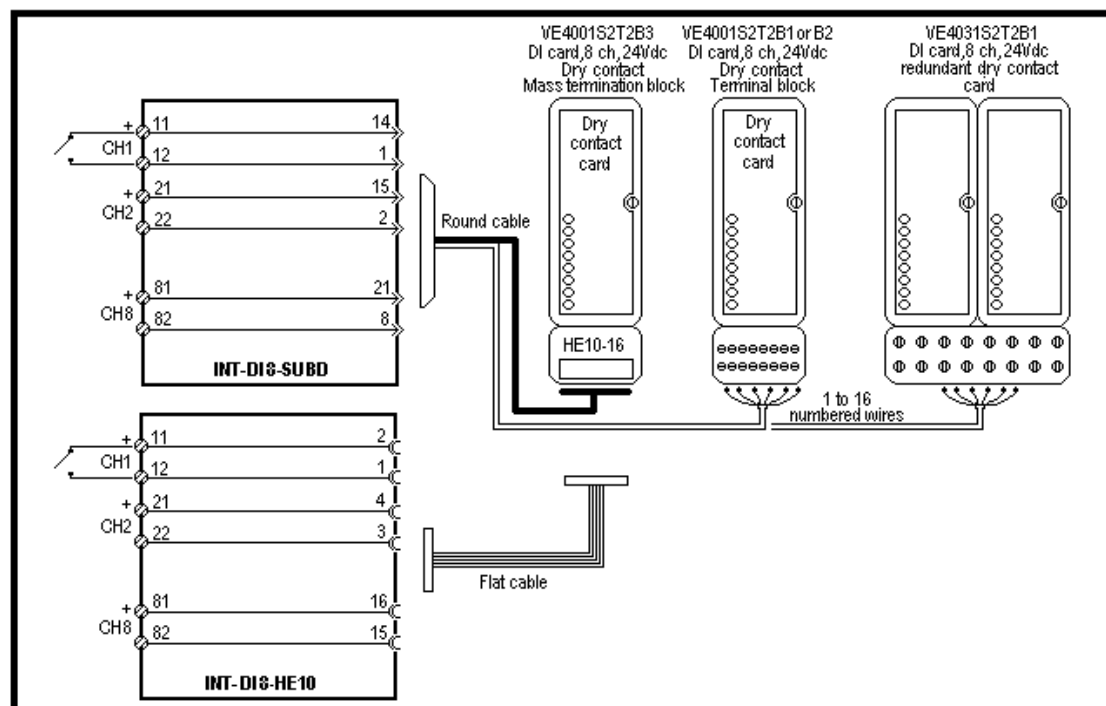
DISCRETE INPUT SIMPLEX AND REDUNDANT FIELD WIRING CONNECTIONS

□	DISCRETE INPUT, 8 channel, 24Vdc, dry contact.....	2
□	DISCRETE INPUT, 8 channel, 24Vdc, isolated.....	3
□	DISCRETE INPUT, 8 channel, 120 or 230Vac, dry contact.....	5
□	DISCRETE INPUT, 8 channel, 120 or 230Vac, isolated.	5
□	I.S DISCRETE INPUT, 2 x 8-channel, isolated.....	6
□	DISCRETE INPUT, 16 channel, Sequence of Events.....	7
□	PULSE INPUT, 4 channel, Multifunction card.....	8
□	DISCRETE INPUT, 32 channel, 24Vdc, dry contact.	9
○	24Vdc dry contact.....	9
○	24Vdc 2 wire proximity switch or dry contact.	9
○	24Vdc 2 or 3 wire proximity switch or dry contact.....	10
○	Isolated Vdc dry contact or proximity Switch.	11
○	Isolated Vac dry contact or proximity Switch.....	12
□	I.S DISCRETE INPUT, 32-channel, isolated.....	13

□ **DISCRETE INPUT, 8 channel, 24Vdc, dry contact.**

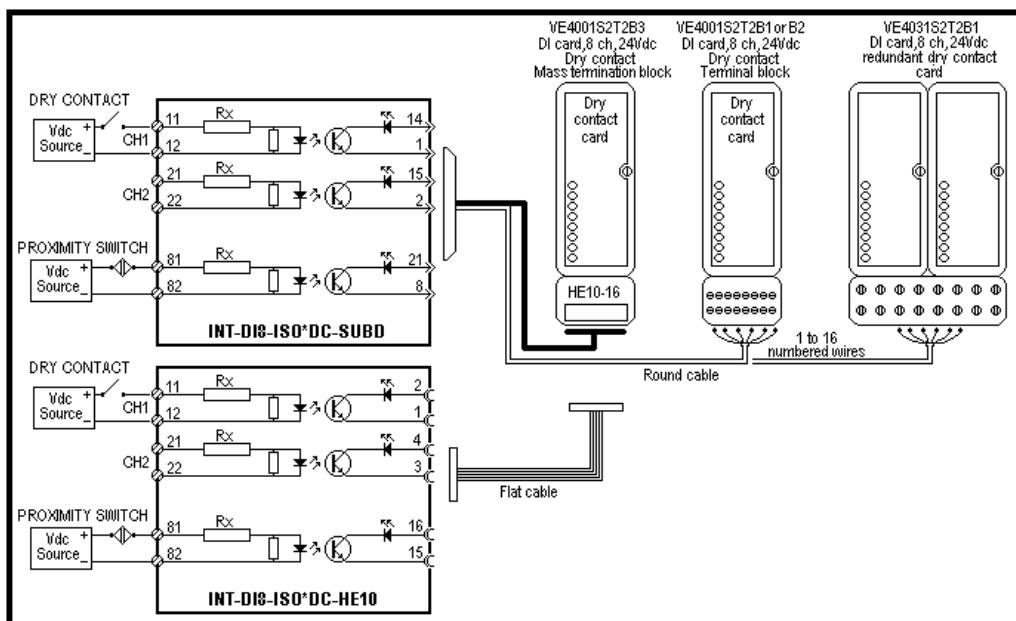


Firelec Interface reference	Input specifications
INT-DI-1-SUBD or HE10	One fuse 0.05A and one LED per Channel 24 to 12 AWG (0.2 to 2.5 mm ²) terminal capacity

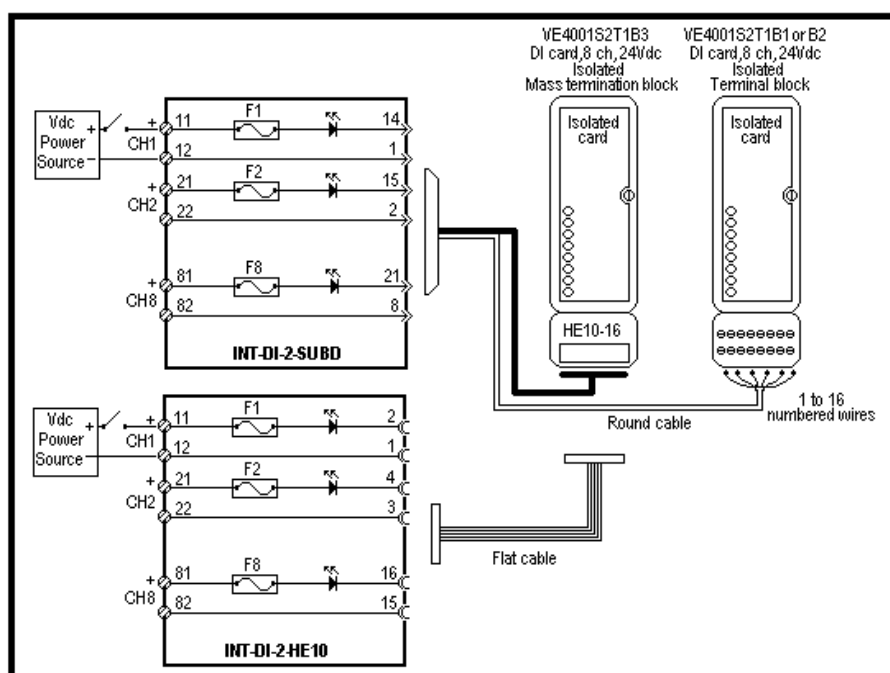


Firelec Interface reference	Input specifications
INT-DI8-SUBD or HE10	No fuse, no LED 26 to 16 AWG (0,14 to 1,5mm ²) terminal capacity

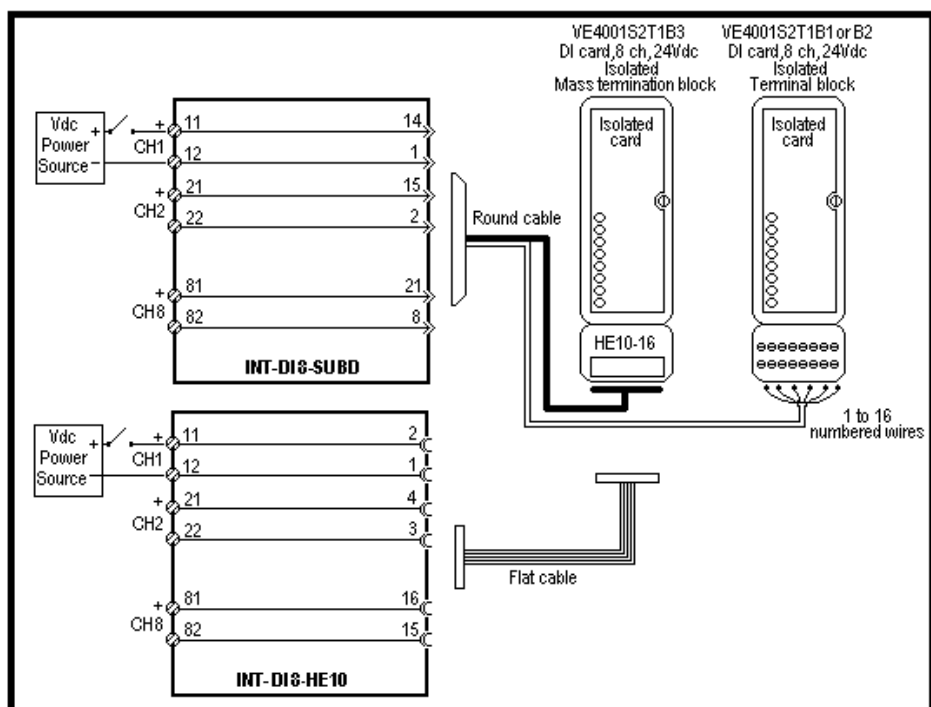
□ **DISCRETE INPUT, 8 channel, 24Vdc, isolated.**



Firelec Interface reference	Input specifications
INT-DI8ISO*DC-SUBD or HE10	One LED per channel. 24 to 16 AWG (0.2 to 1.5 mm ²) terminal capacity. Each input channel can be isolated from each other and can be adapted at the customer voltage needed.
INT-DI8-ISO24DC	Input Rx=3.3k. Input voltage range 20 to 28Vdc
INT-DI8-ISO48DC	Input Rx=6.8k. Input voltage range 40 to 56Vdc

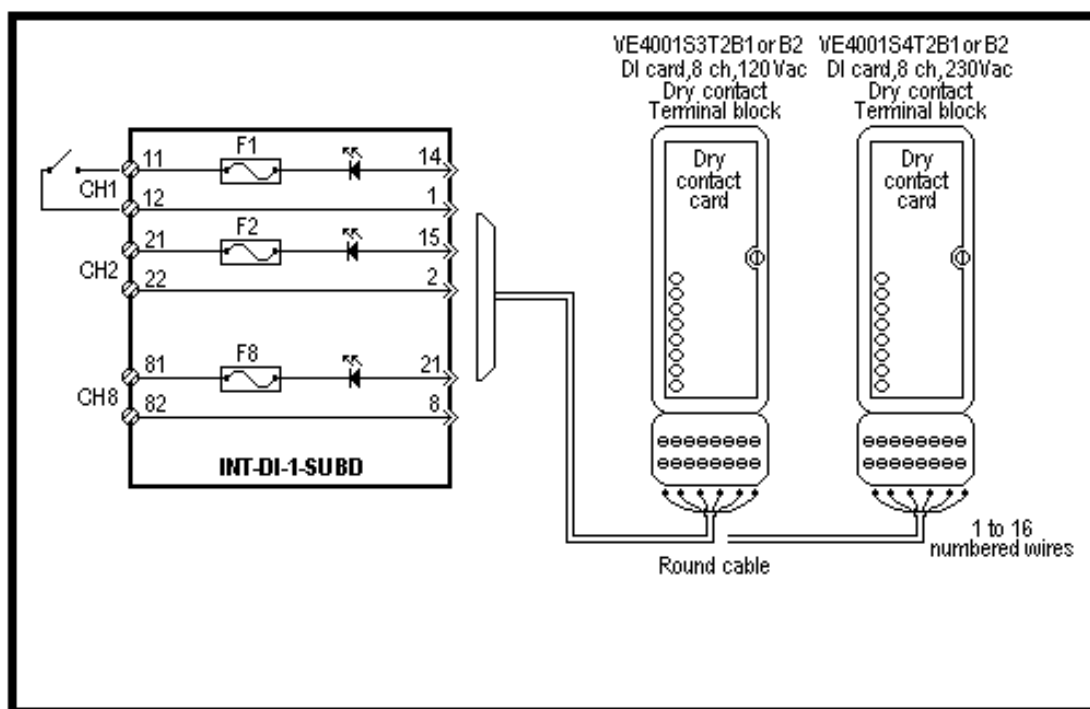


Firelec Interface reference	Input specifications
INT-DI-2-SUBD or HE10	Power Supply 15 to 32 Vdc (24 Vdc nominal) One fuse 0.05A and one LED per Channel 24 to 12 AWG (0.2 to 2.5 mm ²) terminal capacity



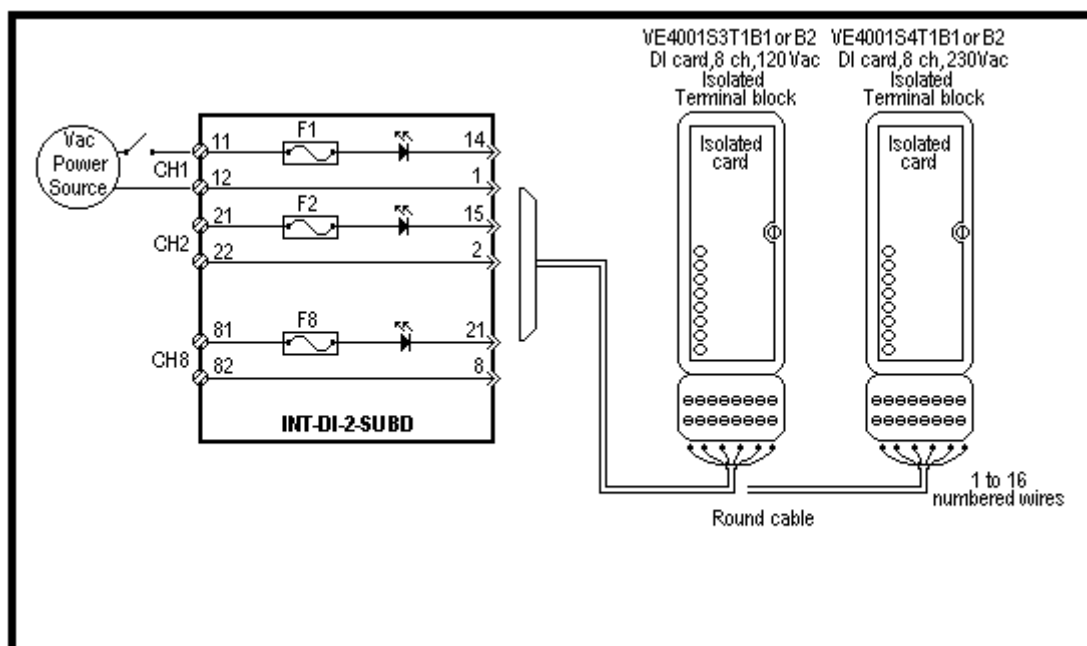
Firelec Interface reference	Input specifications
INT-DI8-SUBD or HE10	Power Supply 15 to 32 Vdc (24 Vdc nominal) No fuse, no LED 26 to 16 AWG (0,14 to 1,5mm ²) terminal capacity

- DISCRETE INPUT, 8 channel, 120 or 230Vac, dry contact.



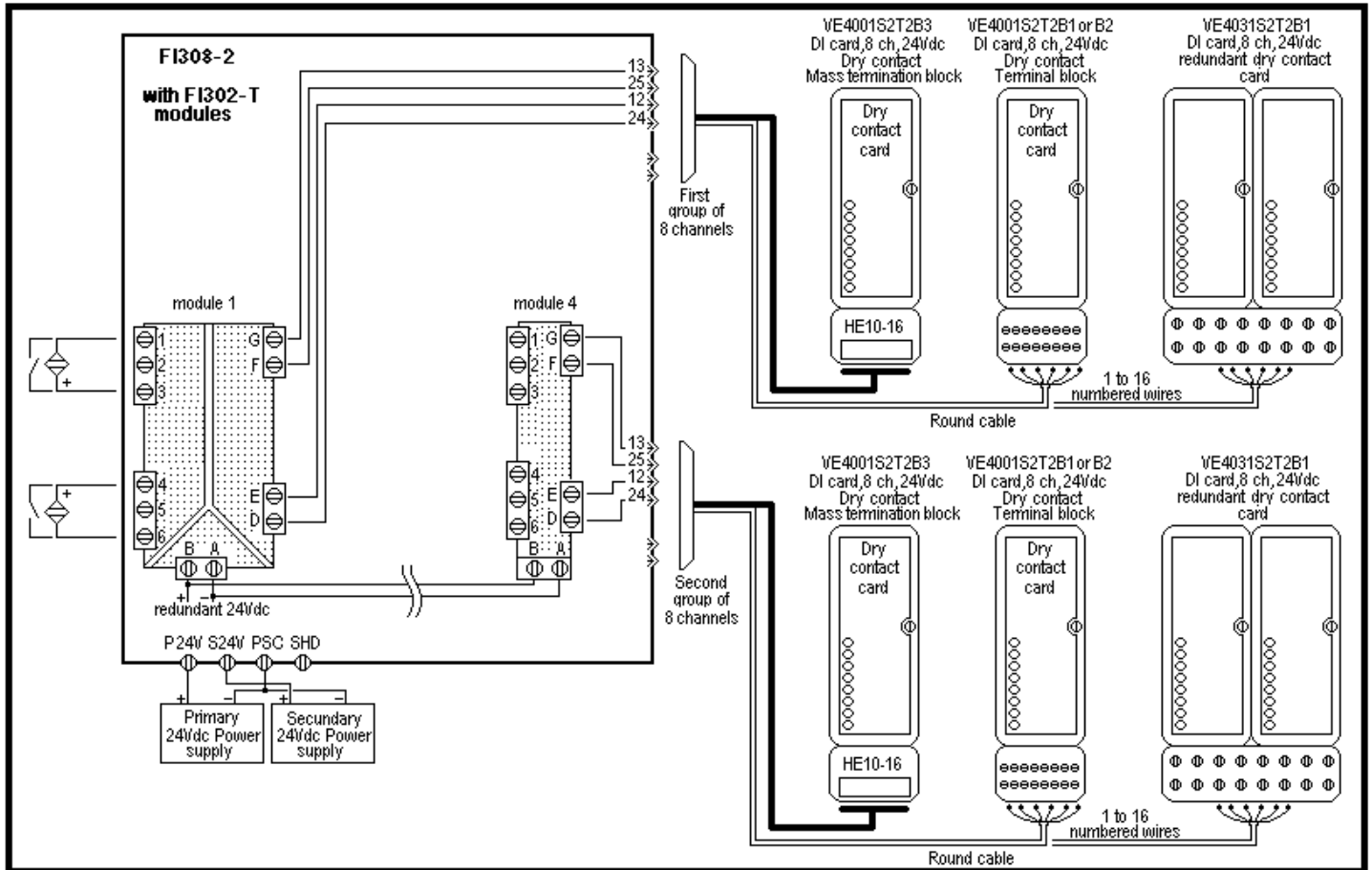
Firelec Interface reference	Input specifications
INT-DI-1-SUBD	One fuse 0.05A and one LED per Channel 24 to 12 AWG (0.2 to 2.5 mm ²) terminal capacity

- DISCRETE INPUT, 8 channel, 120 or 230Vac, isolated.



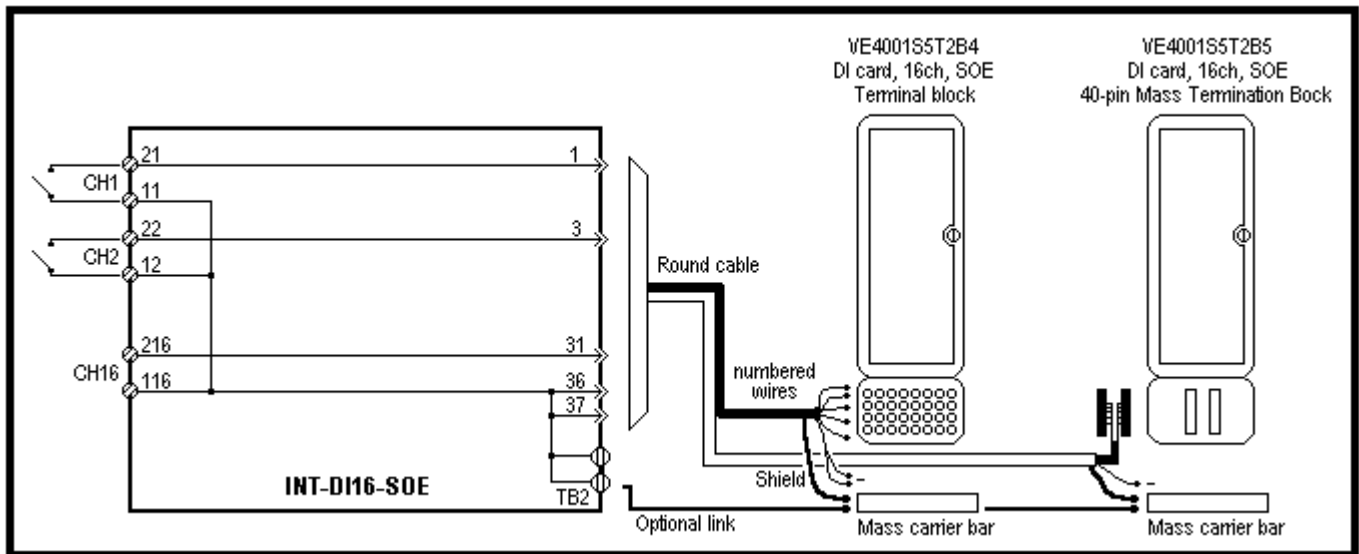
Firelec Interface reference	Input specifications
INT-DI-2-SUBD	One fuse 0.05A and one LED per Channel 24 to 12 AWG (0.2 to 2.5 mm ²) terminal capacity

□ **I.S DISCRETE INPUT, 2 x 8-channel, isolated**

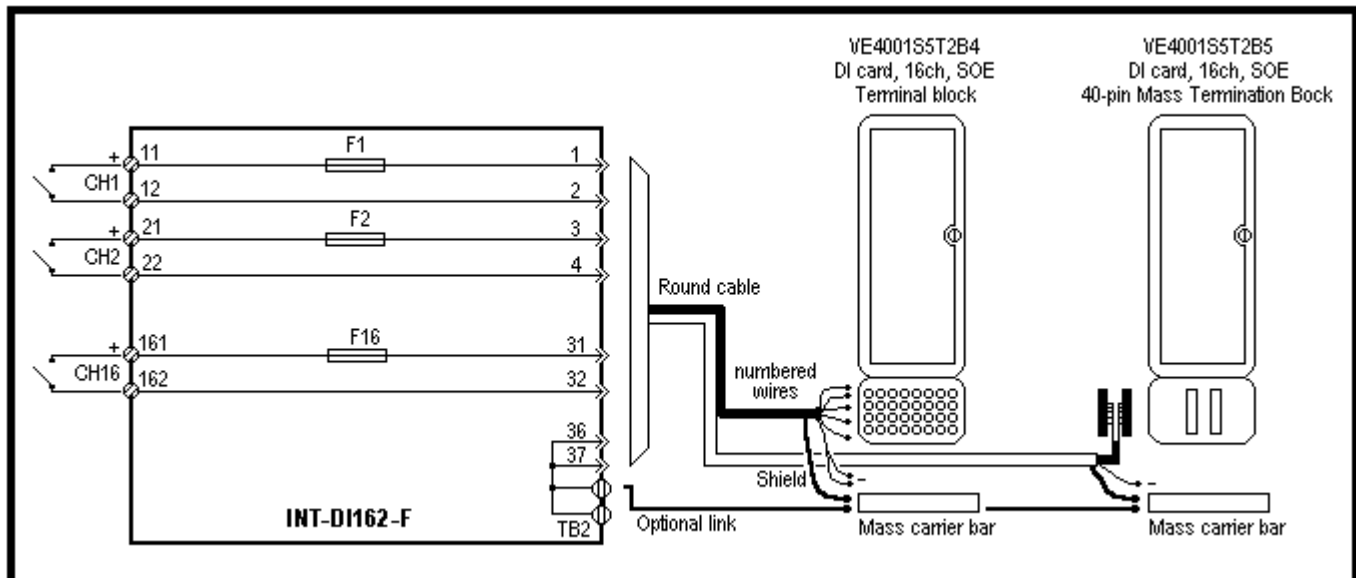


Firelec Interface reference	Input specifications
FI308-2	Termination panel for 8 x dual channel FI302 modules

□ **DISCRETE INPUT, 16 channel, Sequence of Events**

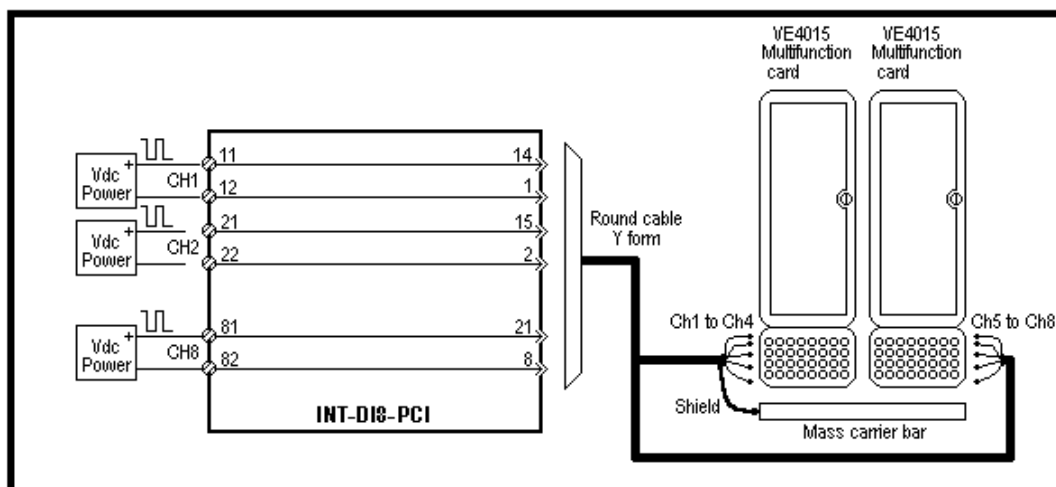


Firelec Interface reference	Input specifications
INT-DI16-SOE	No fuse 26 to 16 AWG (0.2 to 1.5 mm ²) terminal capacity

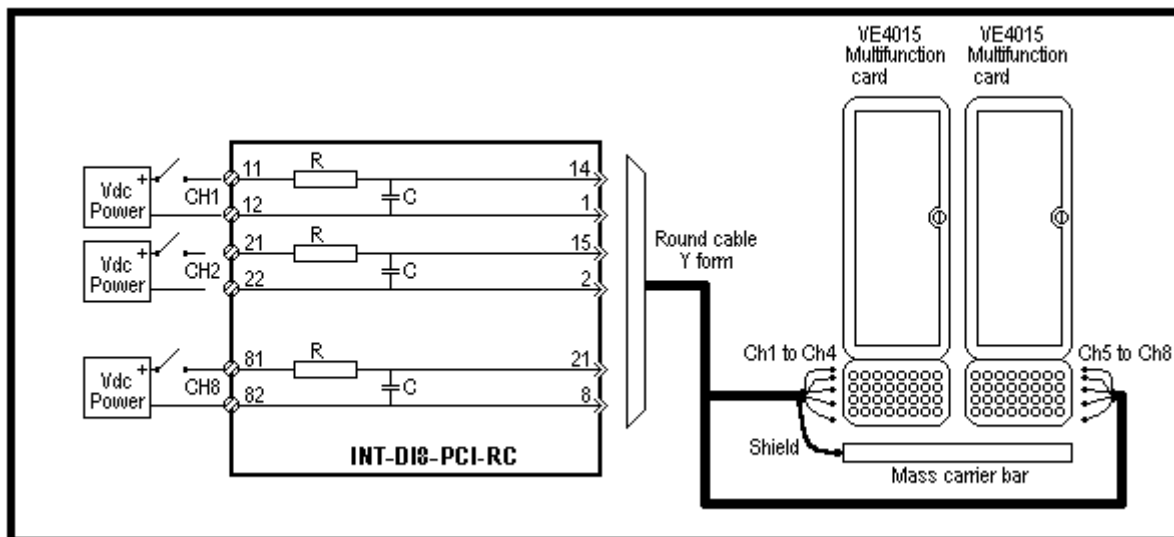


Firelec Interface reference	Input specifications
INT-DI162-F	One 0.25A fuse per channel 26 to 16 AWG (0.2 to 1.5 mm ²) terminal capacity

□ **PULSE INPUT, 4 channel, Multifunction card**

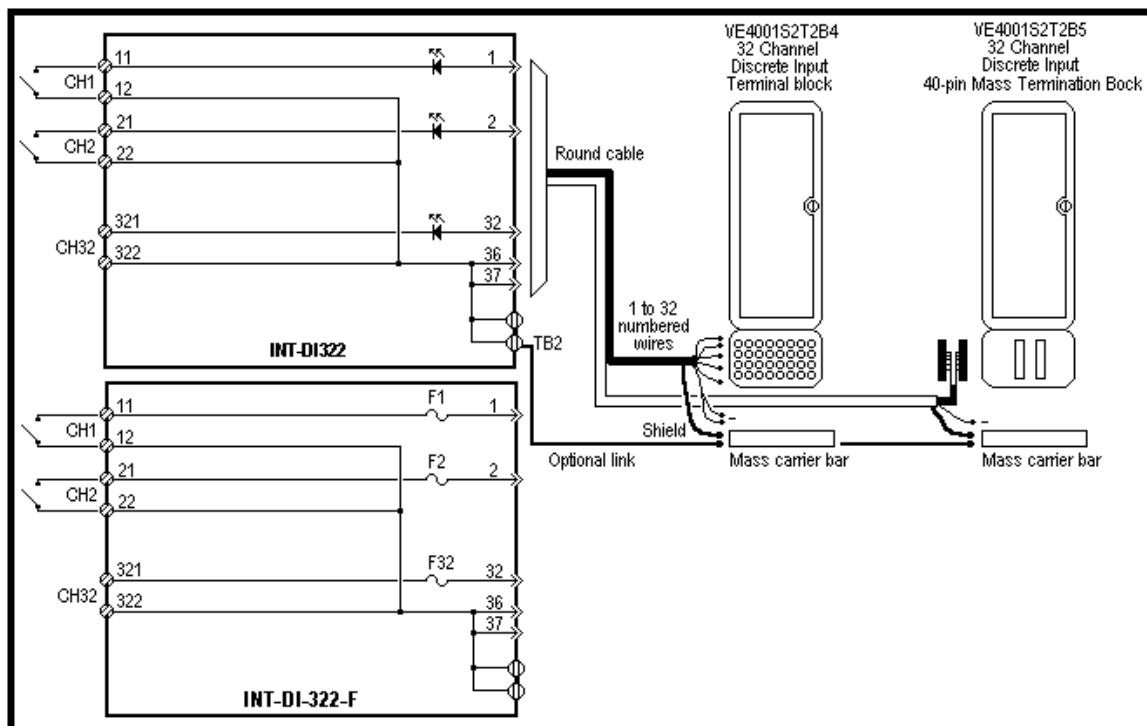


Firelec Interface reference	Input specifications
INT-DI8-PCI	8-channel pulse input. Can be connected to two Multifunction cards using a "Y form" cable. Power Supply input range: 5 to 24Vdc Max frequency : 50KHz 26 to 16 AWG (0.2 to 1.5 mm ²) terminal capacity



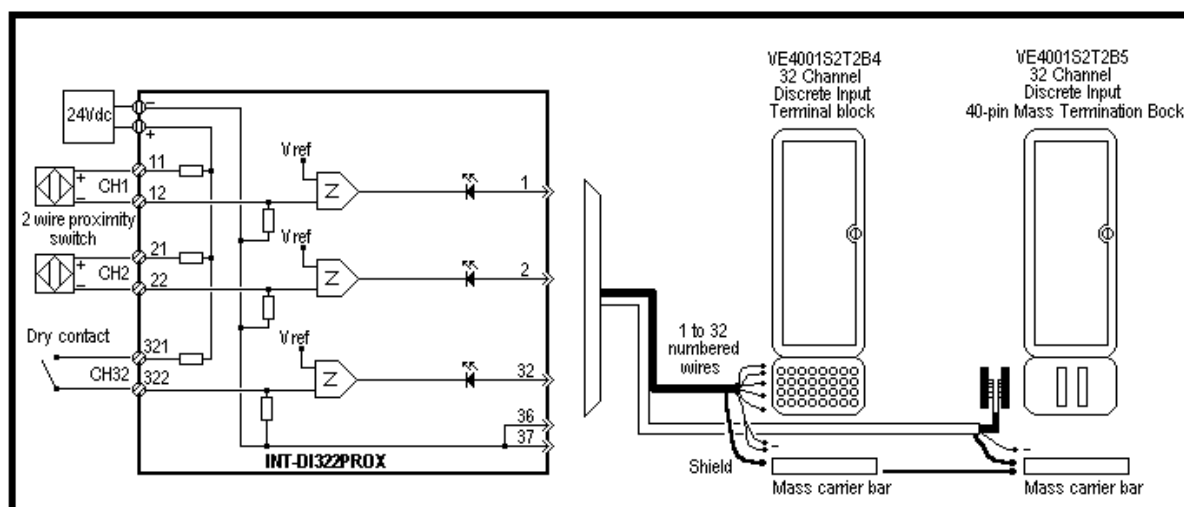
Firelec Interface reference	Input specifications
INT-DI8-PCI-RC	8-channel pulse input. Can be connected to two Multifunction cards using a "Y form" cable. Power Supply input range: 15 to 35Vdc With RC filter = 22ms Max frequency: 10Hz 26 to 16 AWG (0.2 to 1.5 mm ²) terminal capacity

- **DISCRETE INPUT, 32 channel, 24Vdc, dry contact.**
 - **24Vdc dry contact.**



Firelec Interface reference	Input specifications
INT-DI-322	One LED per Channel 26 to 16 AWG (0.2 to 1.5 mm ²) terminal capacity
INT-DI-322-F	No LED. One 0.25A fuse per channel.

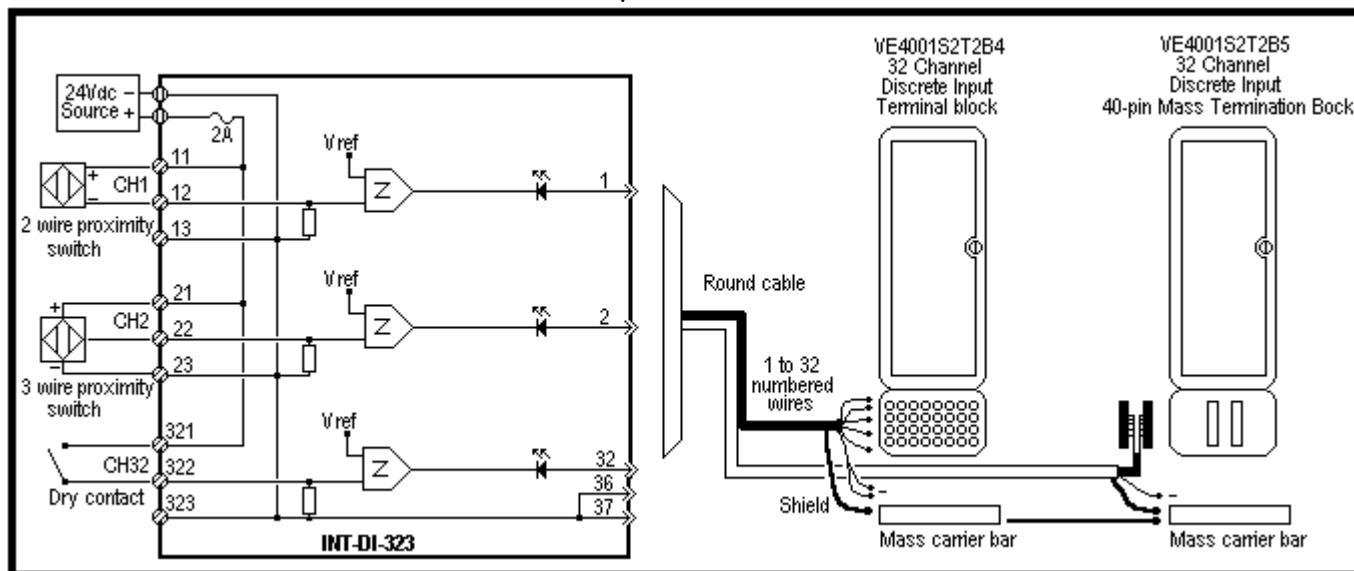
- **24Vdc 2 wire proximity switch or dry contact.**



Firelec Interface reference	Input specifications
INT-DI-322PROX	One LED per Channel . 24 to 16 AWG (0.2 to 1.5 mm ²) terminal capacity. External Power Supply 24Vdc +/- 10% Input impedance per channel:4.8k Each channel protected by a resistor.

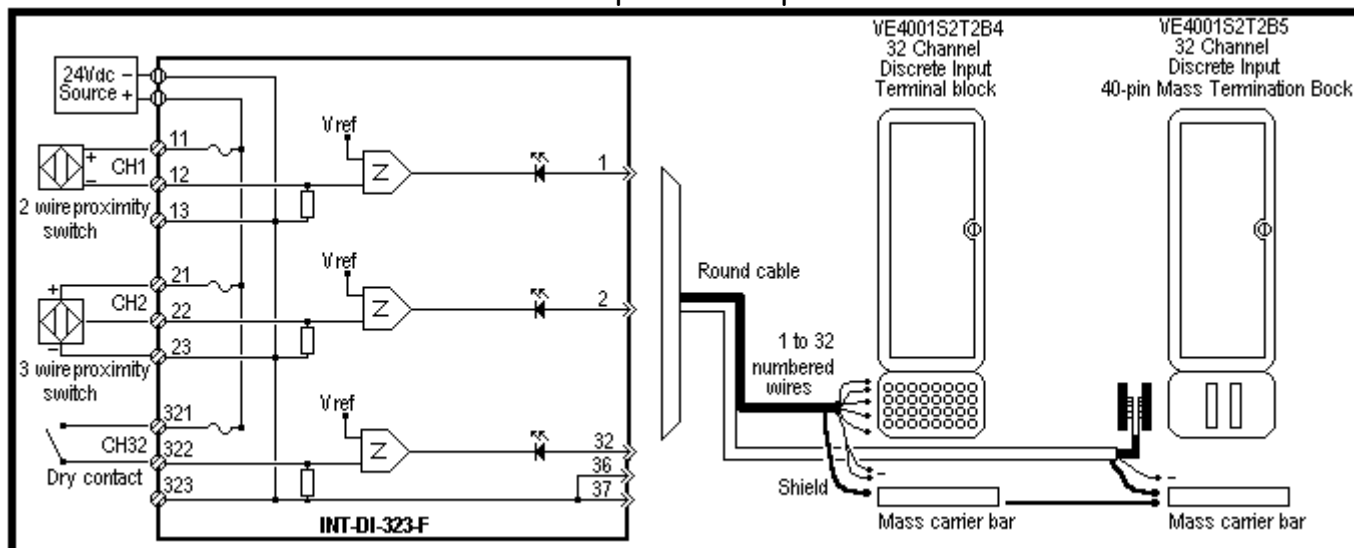
- 24Vdc 2 or 3 wire proximity switch or dry contact.

One 2A common fuse protection for the 32 channels.



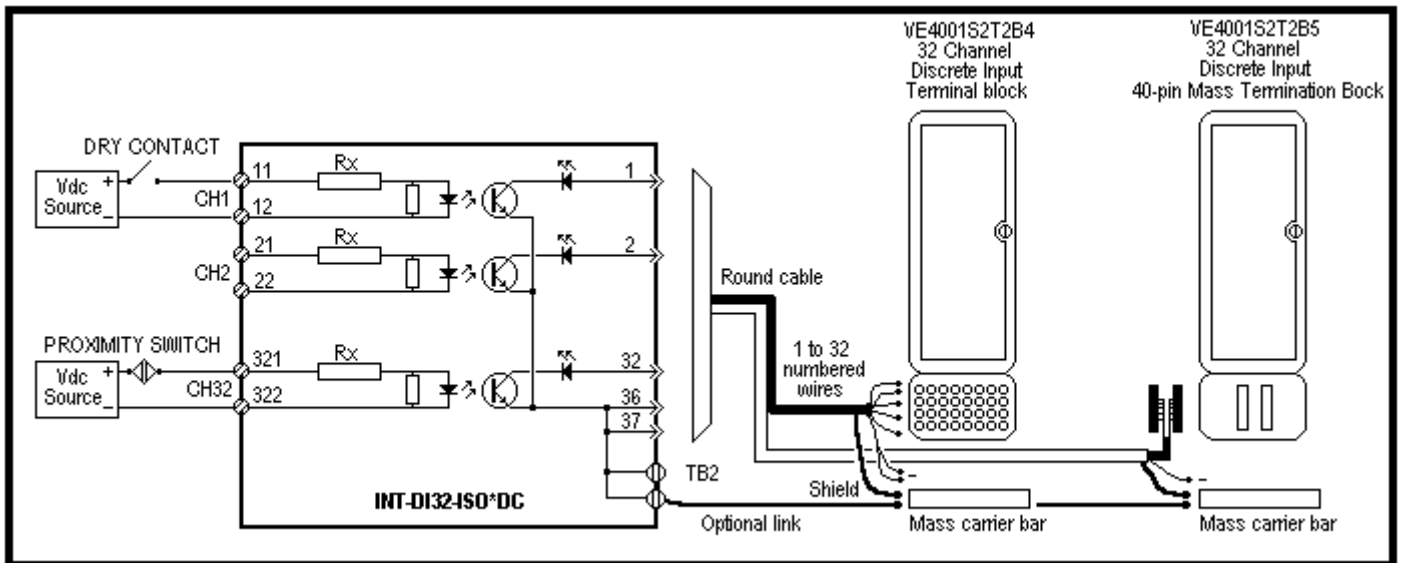
Firelec Interface reference	Input specifications
INT-DI-323	One LED per Channel 24 to 16 AWG (0.2 to 1.5 mm ²) terminal capacity External Power Supply 24Vdc +/- 10% Input impedance per channel:4.8k 32 channels protected by a 2A common fuse

One 1A fuse protection per channel.

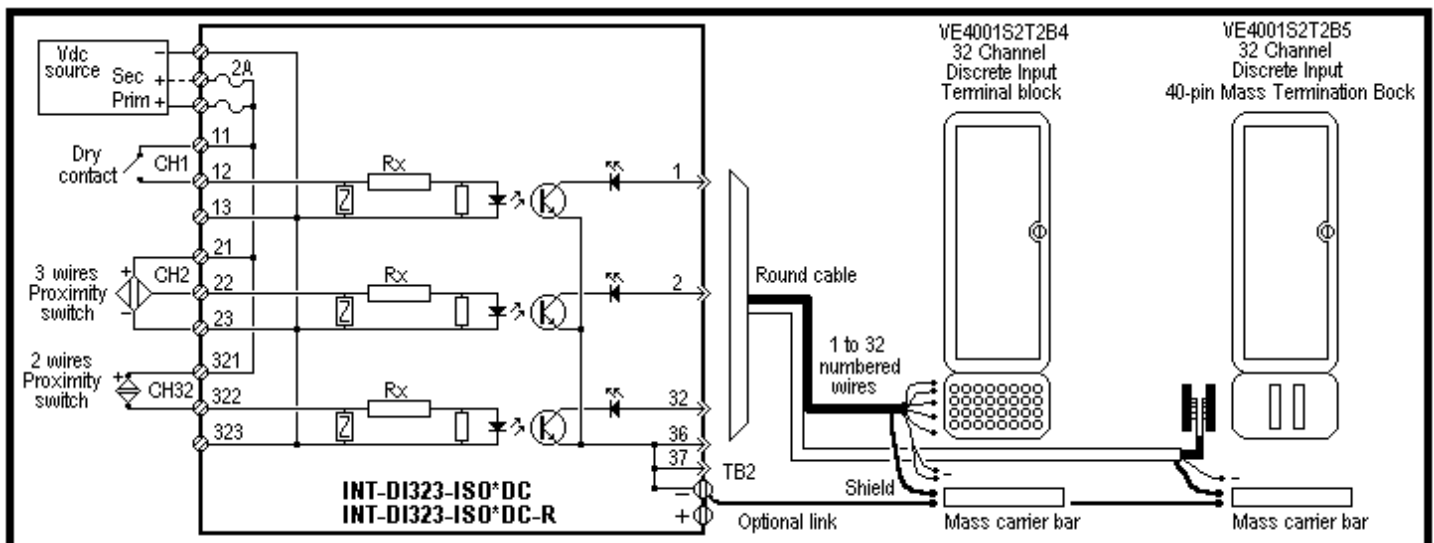


Firelec Interface reference	Input specifications
INT-DI-323-F	One LED per Channel 24 to 16 AWG (0.2 to 1.5 mm ²) terminal capacity External Power Supply 24Vdc +/- 10% Input impedance per channel:4.8k Each channel protected by a 1A fuse

- Isolated Vdc dry contact or proximity Switch.

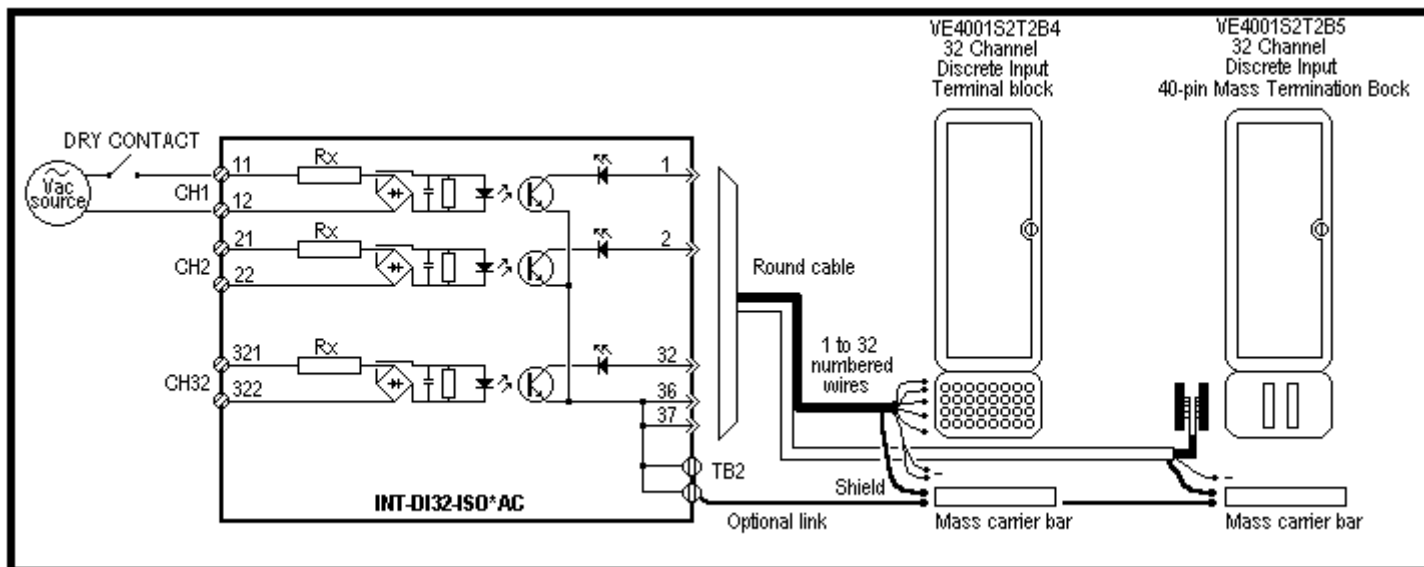


Firelec Interface reference	Input specifications
INT-DI32-ISO*DC	One LED per Channel 24 to 16 AWG (0.2 to 1.5 mm ²) terminal capacity Each input channel can be isolated from each other Can be adapted at the customer voltage needed
INT-DI32-ISO24DC	Input Rx=3.9k. Input voltage range 20 to 28Vdc
INT-DI32-ISO48DC	Input Rx=8.2k. Input voltage range 40 to 56Vdc



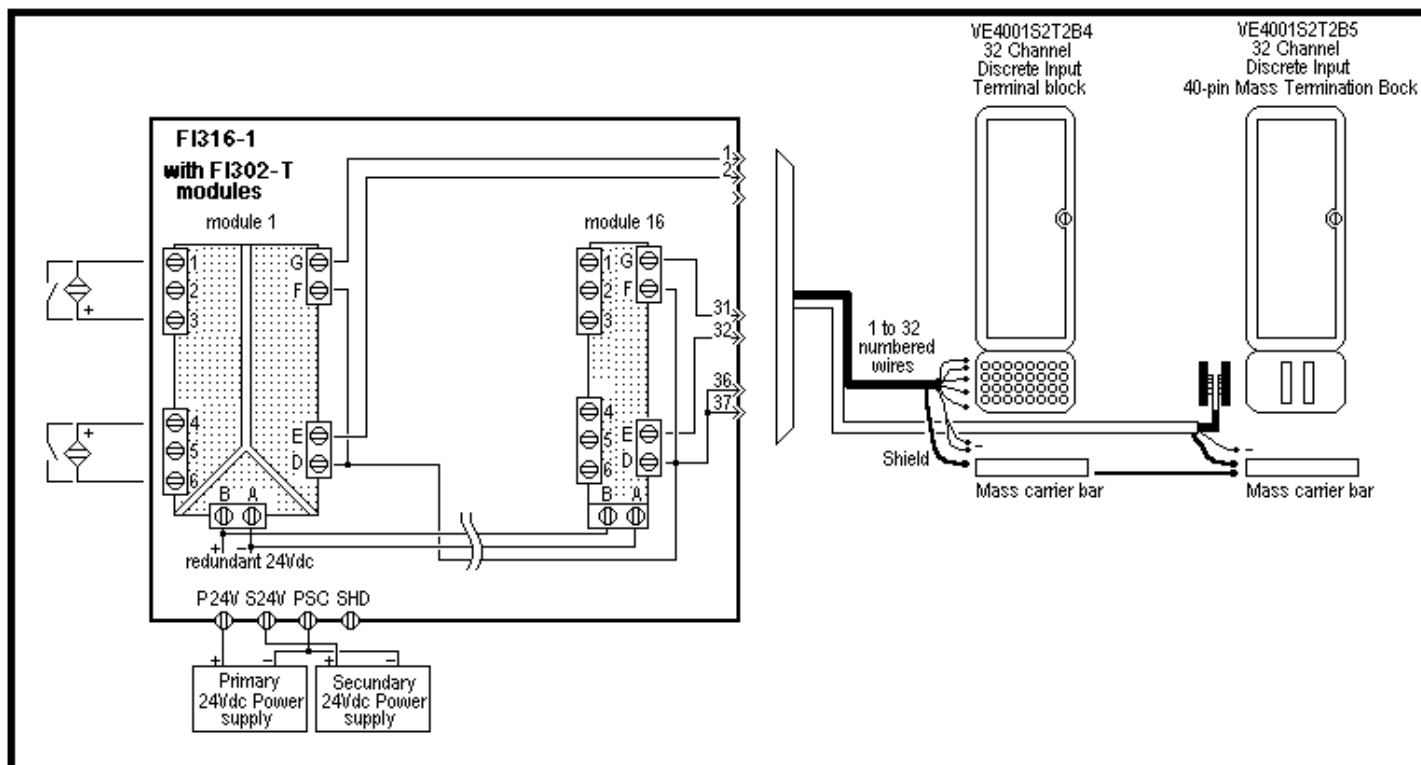
Firelec Interface reference	Input specifications
INT-DI323-ISO*DC-(R)	One LED per Channel 24 to 16 AWG (0.2 to 1.5 mm ²) terminal capacity 3 rows of terminals per channel to make the field connections easy Can be adapted at the customer voltage needed
INT-DI323-ISO24DC-(R)	Input Rx=3.9k Input voltage range 20 to 28Vdc
INT-DI323-ISO48DC-(R)	Input Rx=8.2k Input voltage range 40 to 56Vdc

- Isolated Vac dry contact or proximity Switch.



Firelec Interface reference	Input specifications
INT-DI32-ISO*AC	One LED per Channel 24 to 16 AWG (0.2 to 1.5 mm ²) terminal capacity Can be adapted at the customer voltage needed
INT-DI32-ISO48AC	Input Rx=8,2k Input voltage range 40 to 56Vdc
INT-DI32-ISO230AC	Input Rx=68k Input voltage range 200 to 250Vdc

□ **I.S DISCRETE INPUT, 32-channel, isolated**



Firelec Interface reference	Input specifications
FI316-1 With FI302 module	Termination panel for 16 x I.S modules series FI