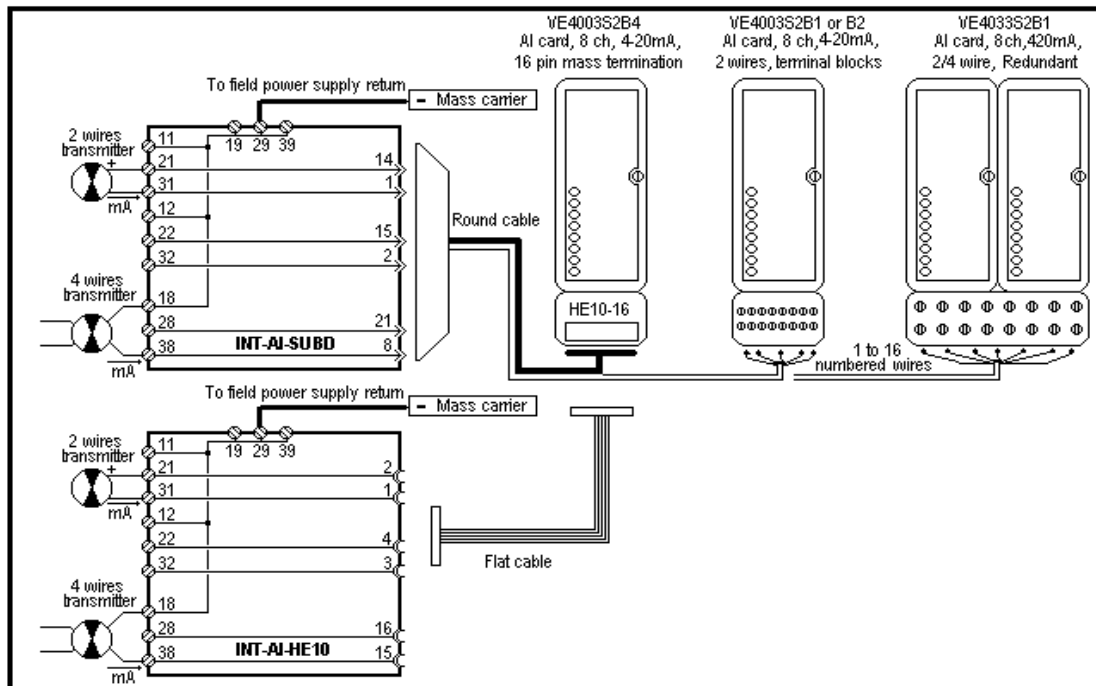


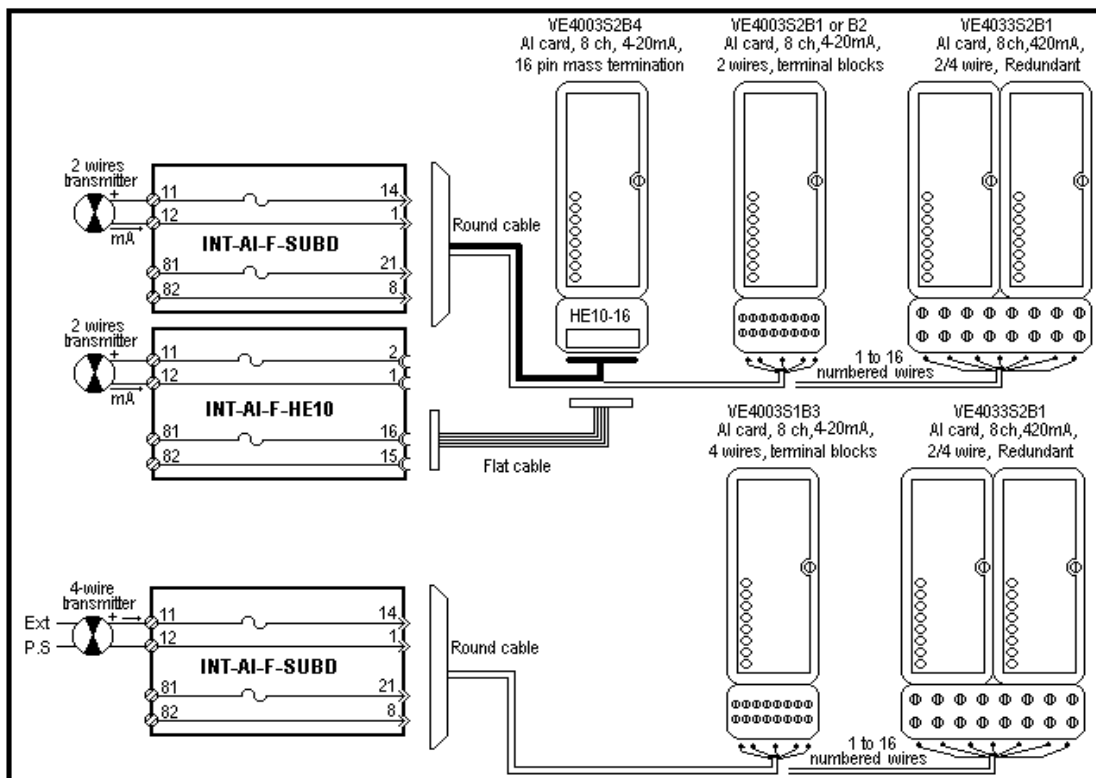
## ANALOGUE INPUT SIMPLEX AND REDUNDANT FIELD WIRING CONNECTIONS

|   |  |   |
|---|--|---|
| □ | ANALOGUE INPUT, 8-channel, non isolated.....     | 2 |
| □ | ANALOGUE INPUT, 16-channel, non isolated .....   | 3 |
| □ | ANALOGUE INPUT, 8-channel, isolated. ....        | 4 |
| □ | ANALOGUE INPUT, 16-channel, isolated. ....       | 5 |
| ○ | Using a 16-channel analogue input card.....      | 5 |
| ○ | Using two 8-channel analogue input card .....    | 6 |
| □ | I.S ANALOGUE INPUT, 8-channel, isolated. ....    | 7 |
| □ | I.S ANALOGUE INPUT, 16-channel, isolated. ....   | 7 |
| □ | I.S ANALOGUE INPUT, 2 x 8-channel, isolated..... | 8 |

□ **ANALOGUE INPUT, 8-channel, non isolated.**

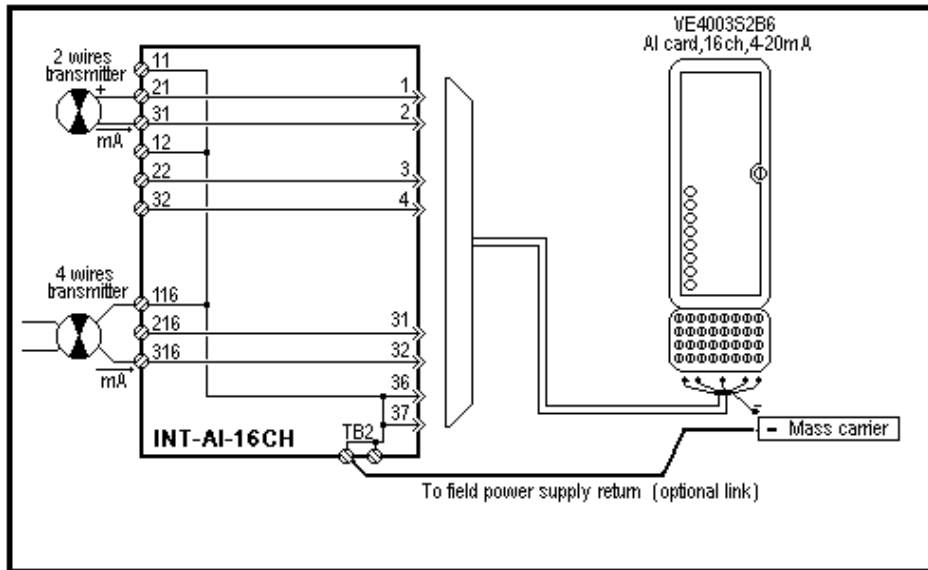


| Firelec Interface reference | Input specifications   |
|-----------------------------|--|
| INT-AI-SUBD or HE10         | Enable to connect either 2, 3, or 4 wire transmitters<br>26 to 16 AWG (0.14 to 1.5 mm <sup>2</sup> ) terminal capacity |



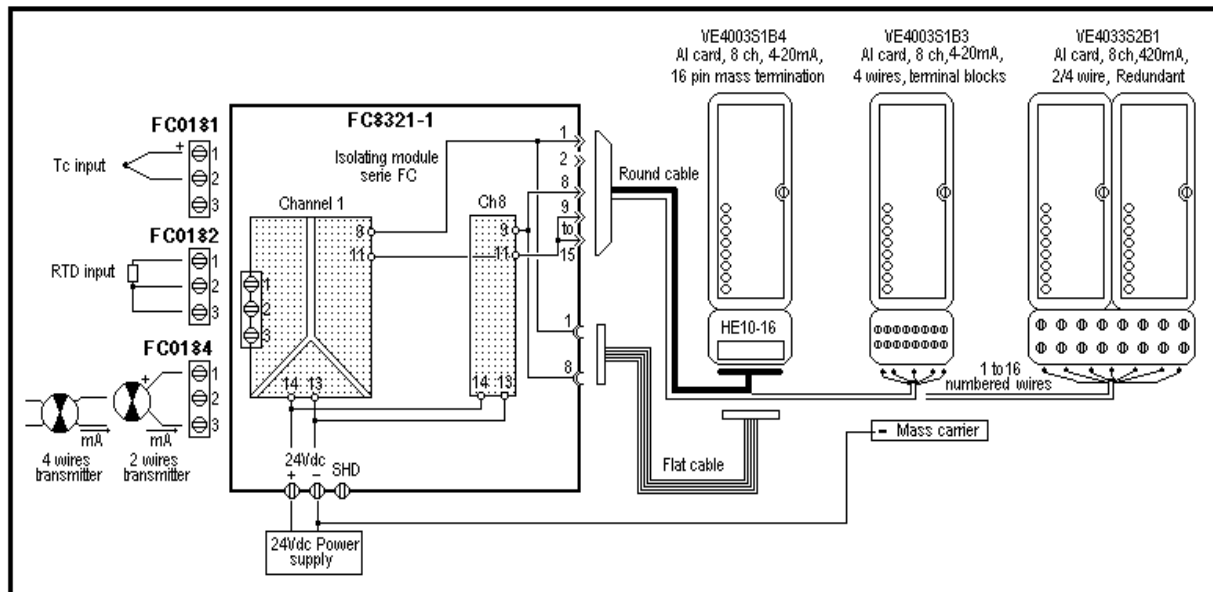
| Firelec Interface reference | Input specifications  |
|-----------------------------|---|
| INT-AI-F-SUBD or HE10       | One 0.05A 5x20 replaceable fuse per channel<br>24 to 12 AWG (0.2 to 2.5 mm <sup>2</sup> ) terminal capacity |

□ **ANALOGUE INPUT, 16-channel, non isolated**

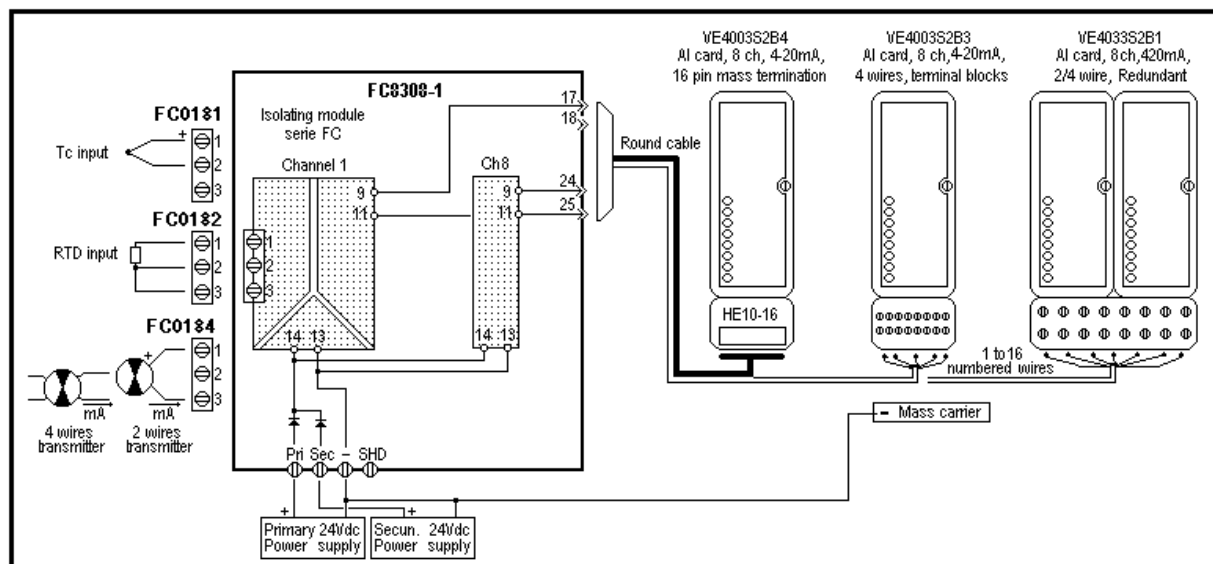


| Firelec Interface reference | Input specifications   |
|-----------------------------|--|
| INT-AI-16CH                 | Enable to connect either 2, 3, or 4 wire transmitters<br>26 to 16 AWG (0.14 to 1.5 mm <sup>2</sup> ) terminal capacity |

□ **ANALOGUE INPUT, 8-channel, isolated.**



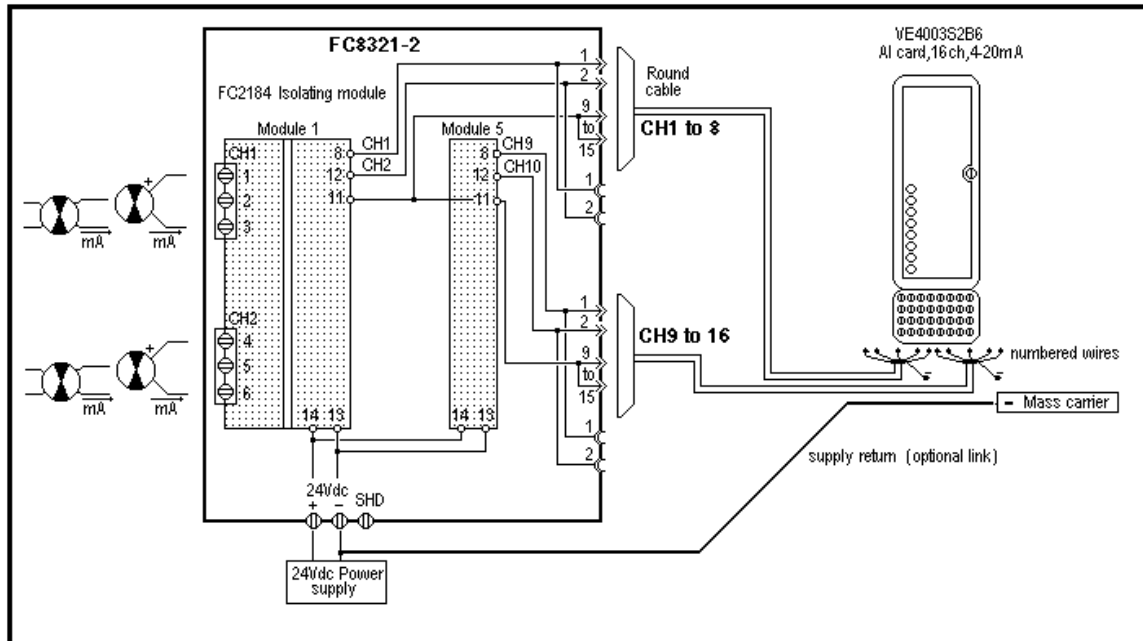
| Firelec Interface reference  | Input specifications  |
|--|---|
| FC8321-1 panel<br>With FC0184 module<br>With FC0181 module<br>With FC0182 module | Termination panel for 8 isolating modules series FC<br>Isolating module for 2, 3, or 4-wire transmitters<br>Isolating module for thermocouple or mV input<br>Isolating module for RTD input |



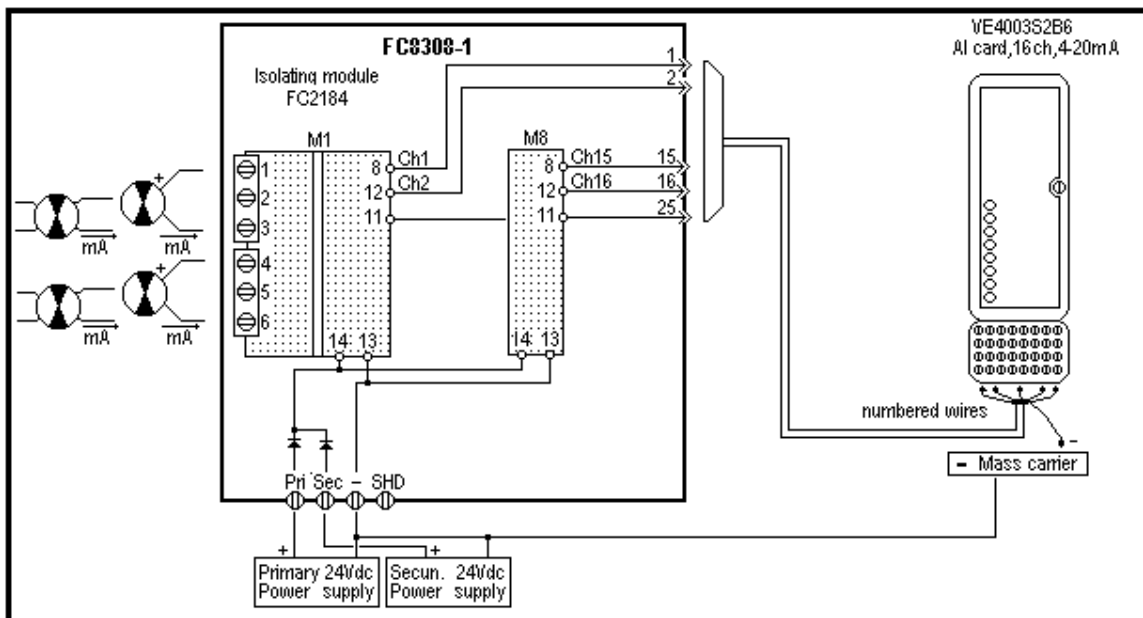
| Firelec Interface reference  | Input specifications  |
|--|---|
| FC8308-1 panel with redundant P.S.<br>With FC0184 module<br>With FC0181 module<br>With FC0182 module | Termination panel for 8 isolating modules series FC<br>Isolating module for 2, 3, or 4-wire transmitters<br>Isolating module for thermocouple or mV input<br>Isolating module for RTD input |

□ **ANALOGUE INPUT, 16-channel, isolated.**

- Using a 16-channel analogue input card

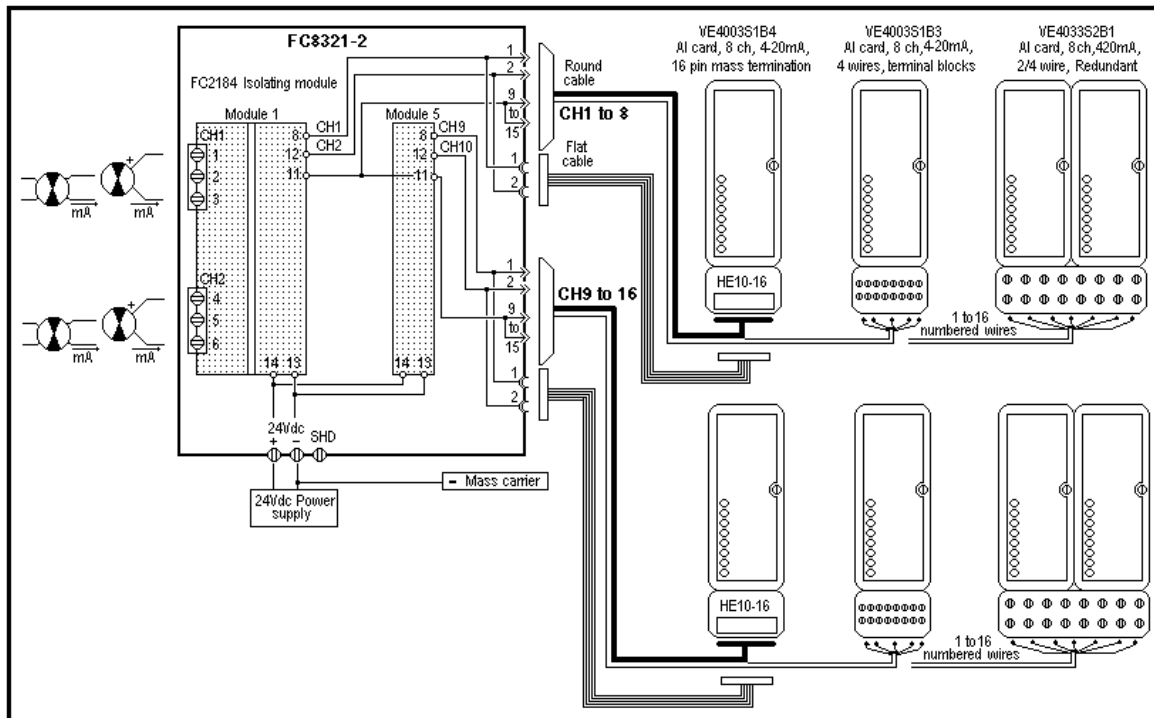


| Firelec Interface reference          | Input specifications  |
|--------------------------------------|---|
| FC8321-2 panel<br>With FC2184 module | Termination panel for 8 isolating modules series FC<br>Dual channel isolating module for 2, 3, or 4 wire transmitters |

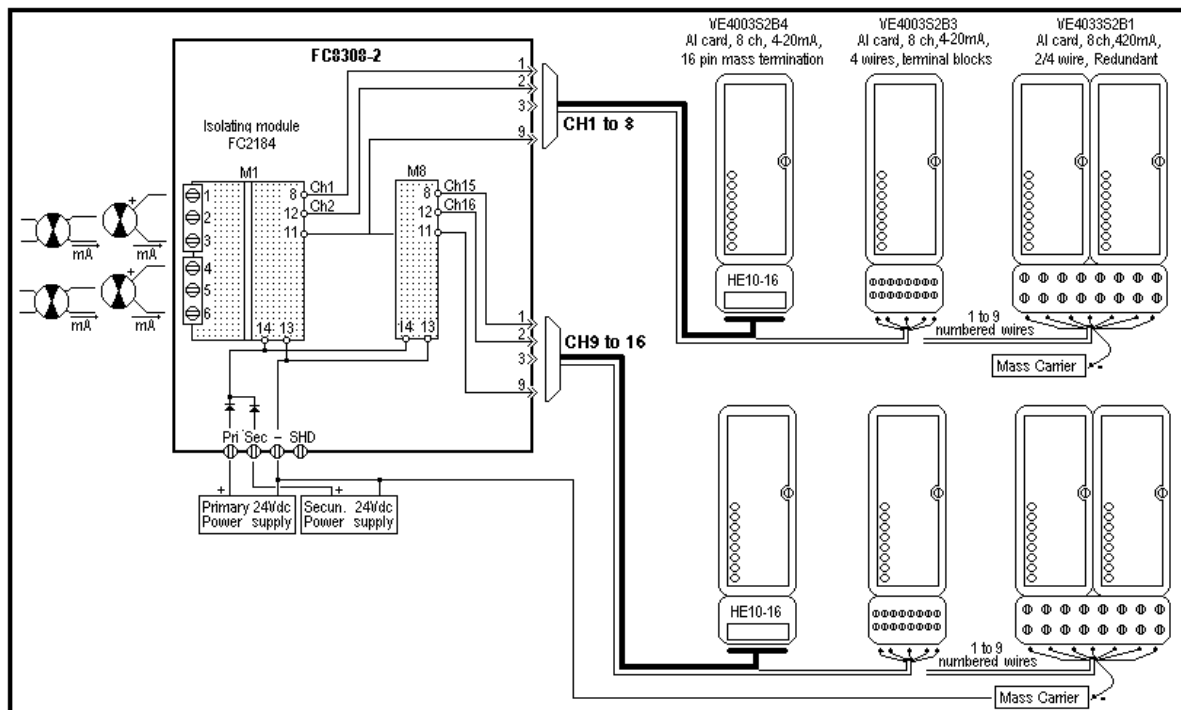


| Firelec Interface reference                       | Input specifications  |
|---|---|
| FC8308-1 with redundant P.S<br>With FC2184 module | Termination panel for 8 isolating modules series FC<br>Dual channel isolating module for 2, 3, or 4 wire transmitters |

○ Using two 8-channel analogue input card

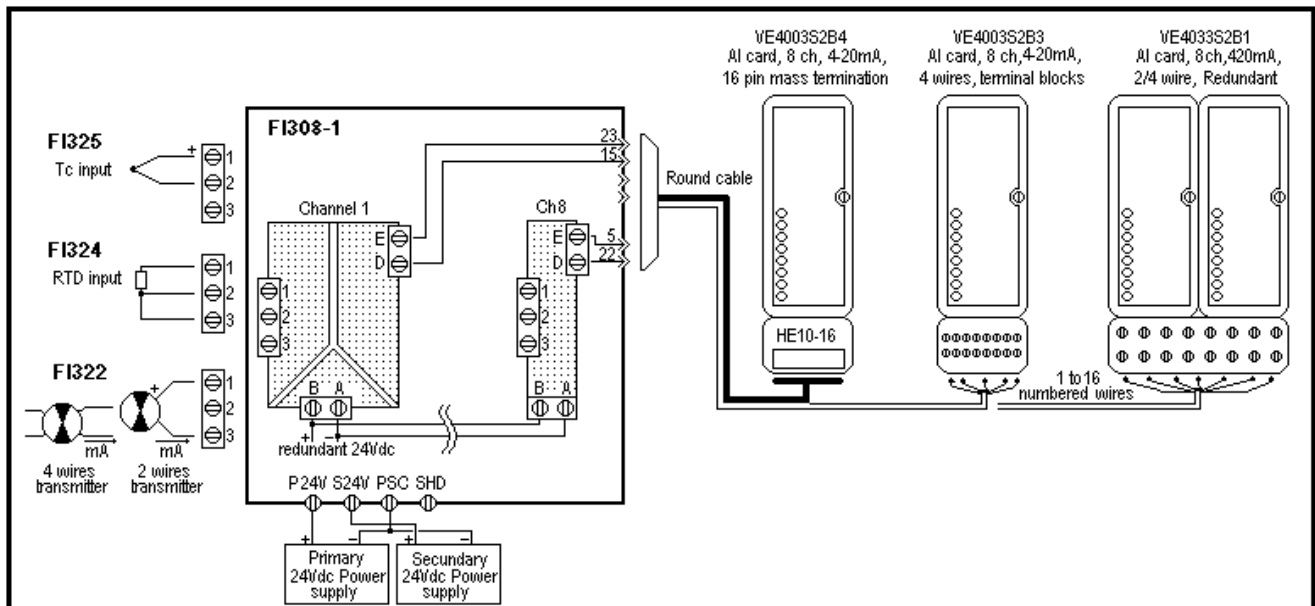


| Firelec Interface reference          | Input specifications  |
|--------------------------------------|---|
| FC8321-2 panel<br>With FC2184 module | Termination panel for 8 isolating modules series FC<br>Dual channel isolating module for 2, 3, or 4 wire transmitters |



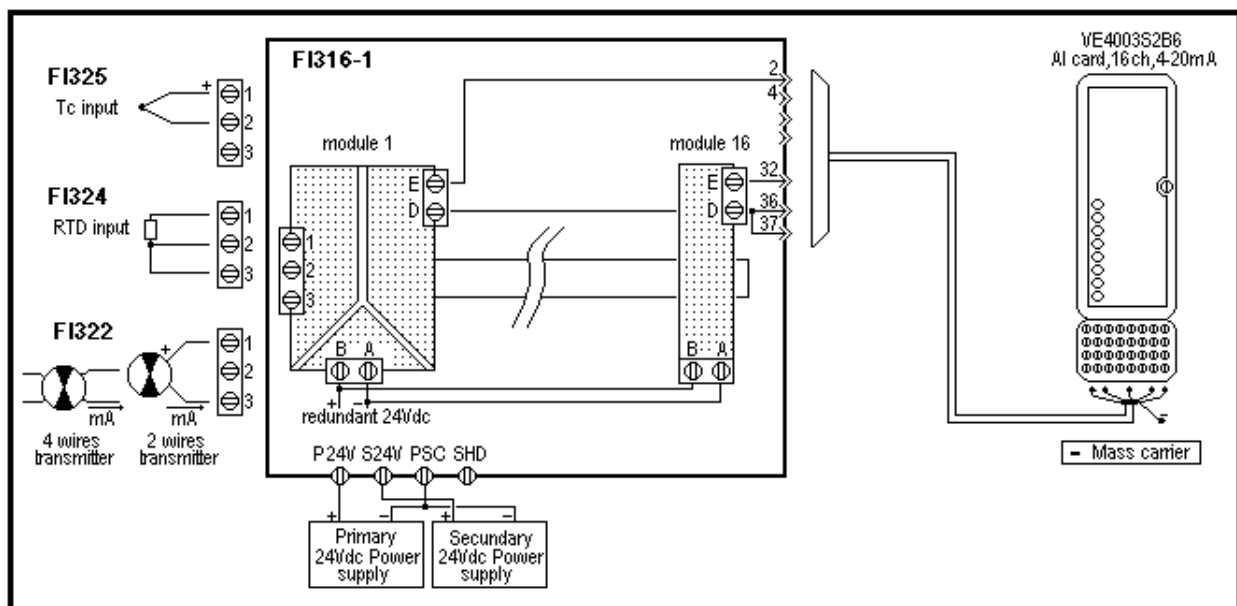
| Firelec Interface reference                             | Input specifications  |
|---|---|
| FC8308-2 panel with redundant P.S<br>With FC2184 module | Termination panel for 8 isolating modules series FC<br>Dual channel isolating module for 2, 3, or 4 wire transmitters |

□ **I.S ANALOGUE INPUT, 8-channel, isolated.**



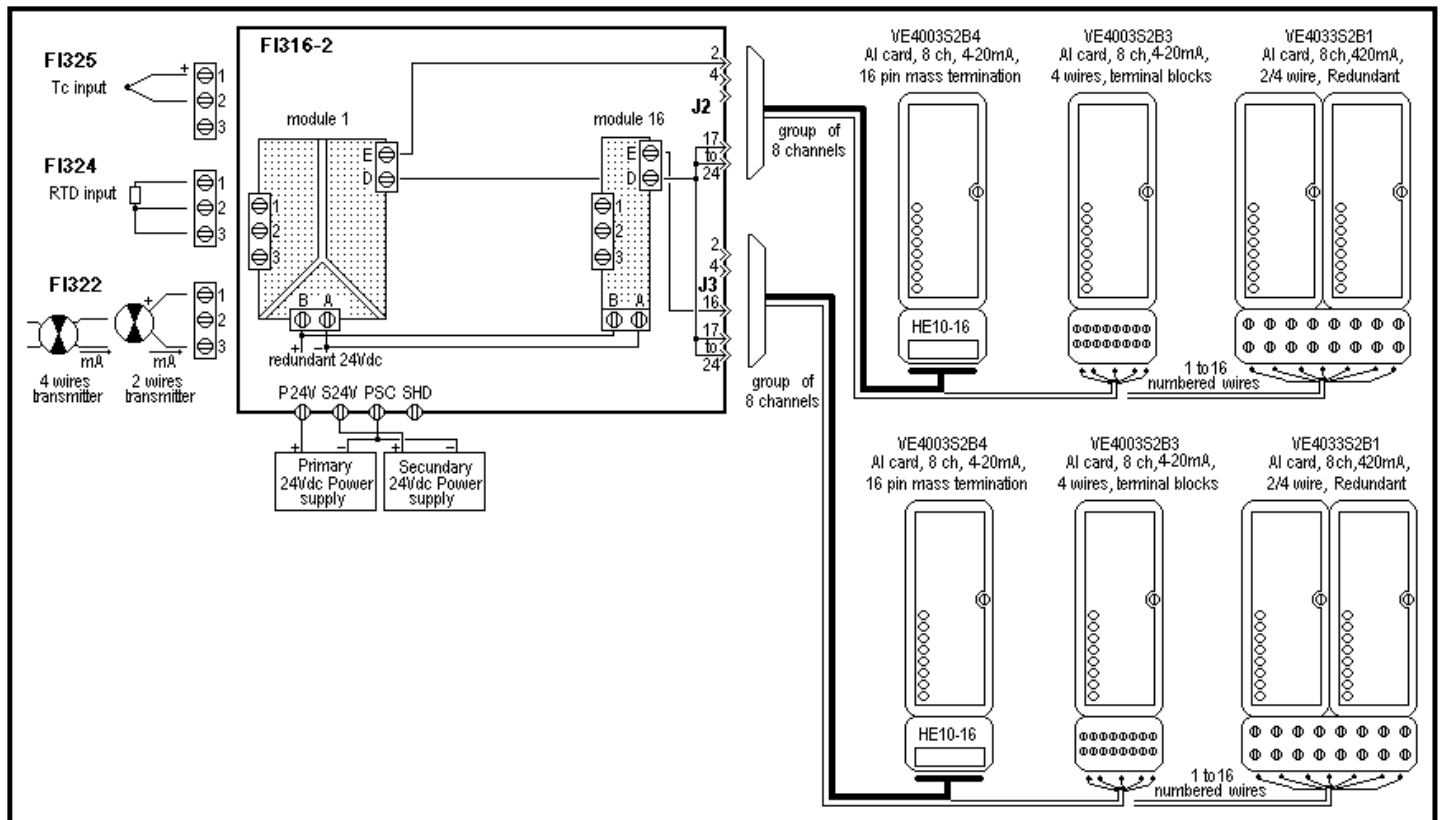
| Firelec Interface reference | Input specifications                            |
|-----------------------------|---|
| FI308-1                     | Termination panel for 8 x I.S modules series FI |
| With FI322 module           | I.S module for 2,3, or 4 wire transmitters      |
| With FI324 module           | I.S module for RTD or potentiometer input       |
| With FI325 module           | I.S module for Thermocouple or mV input         |

□ **I.S ANALOGUE INPUT, 16-channel, isolated.**



| Firelec Interface reference | Input specifications                             |
|-----------------------------|--|
| FI316-1                     | Termination panel for 16 x I.S modules series FI |
| With FI322 module           | I.S module for 2,3, or 4 wire transmitters       |
| With FI324 module           | I.S module for RTD or potentiometer input        |
| With FI325 module           | I.S module for Thermocouple or mV input          |

□ **I.S ANALOGUE INPUT, 2 x 8-channel, isolated.**



| Firelec Interface reference | Input specifications                             |
|-----------------------------|--|
| FI316-2                     | Termination panel for 16 x I.S modules series FI |
| With FI322 module           | I.S module for 2,3, or 4 wire transmitters       |
| With FI324 module           | I.S module for RTD or potentiometer input        |
| With FI325 module           | I.S module for Thermocouple or mV input          |