

■ INT-DO-32(F)-DIR Interface Unit

32 channels - discrete output with (F) or without fuse

Description :

The INT-DO-32(F)-DIR interface unit is used as a remote termination panel, for the 32 channel discrete output card of a digital control system or a programmable logic controller.

The INT-DO-32(F)-DIR interface unit, is connected to the DCS or the PLC D.O. card by a SUBD 37 pins male connector and a round cable shielded or not. If a shielded cable is used (with a metallic cover), a screw marked Shield allows to ground it.

Two types of interface units are available:

INT-DO-32-DIR: interface unit without fuse

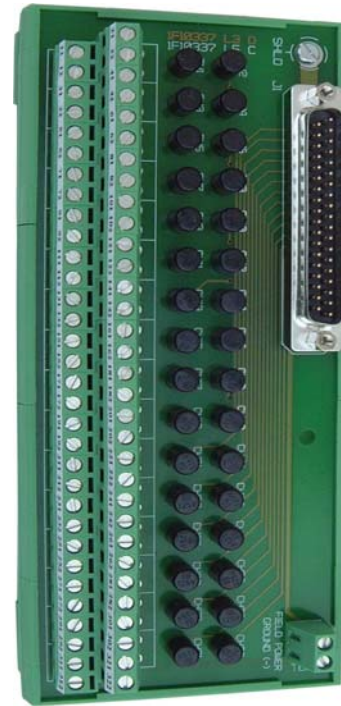
INT-DO-32F-DIR: interface unit with a fuse* protection per channel.

*The value of the fuse is 0.5A in standard. For other value, please consult us.

Product options :

Option **ST**: INT-DO-32(F)-DIR-ST (contact connection using Screw Terminals)

Option **CCT**: INT-DI-32(F)-DIR-CCT (contact connection using Cage Clamp or spring Terminals)



Technical specifications:

Dimensions:

Wide : 77mm
Length : 178mm
Depth : 52mm

Weight:

150 g

Mounting:

Asymmetric or symmetric DIN rail

Terminal conductor section:

TB1: ST: 26 to 16AWG or (0.14 to 1.5mm²). CCT 24 to 14AWG (0.14 to 2.5mm²)
TB2: 26 to 16AWG (0.14 to 1.5mm²).

Connection to the DCS or PLC:

1 x SUBD 37 pin male connector with UNC4-40 female lock.

Connection to ground:

One M3 screw

Output specifications:

INT-DO-32-DIR: no fuse, max current allowable per channel 1A
INT-DO-32-DIR-F: one fuse per channel (0. 5A, 125V)

Withstanding voltage rating:

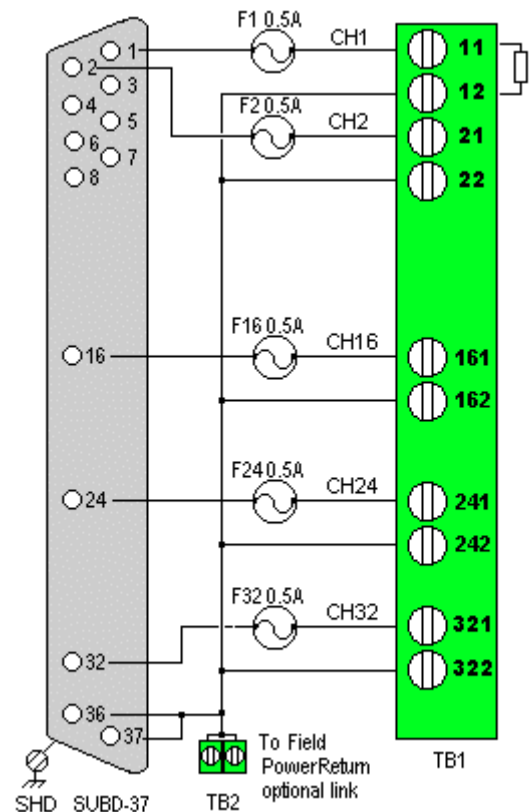
250 Vrms between non connected signals.

Humidity:

Up to 90% (no condensation)

Temperature range:

Operating: -10°C to 60°C
Storage: -20°C to 60°C



R10-2009

