

■ INT-DI8 Interface Unit

8 channels - discrete input

Description :

The INT-DI8 interface unit is used as a remote panel to connect up to 8 discrete inputs (contact inputs) to a digital control system or to a programmable logic controller.



Product options :

- Option **SUB** : INT-DI8-**SUBD** (communication with the PLC or the DCS via a SUBD connector)
- Option **HE10** : INT-DI8-**HE10** (communication with the PLC or the DCS via a HE10 connector)
- Option **ST** : INT-DI8-SUBD or HE10-**ST** (contact connection using Screw Terminals)
- Option **CCT** : INT-DI8-SUBD or HE10-**CCT** (contact connection using Cage Clamp or spring Terminals)

Technical specifications:

Dimensions :

Wide : 55 mm
Length : 77mm
Depth : 55mm

Weight :

100 g

Withstanding voltage rating

250Vac between non connected signal

Mounting :

Asymmetric or symmetric DIN rail

Signal wiring conductor section:

ST : Screw Terminals : 26 to 16AWG (0.14 to 1.5mm²)
CCT : Cage Clamp Terminals or spring terminals: 24 to 16AWG (0.14 to 1.5mm²)

Connection to ground

One M3 screw (OPTION SUBD)

Connection to the DCS or PLC: (OPTION SUBD)

1 x SUBD 25 pin male connector with UNC4-40 female lock.

Connection to the DCS or PLC: (OPTION HE10)

1 x HE10-16 pin male connector with locks for female connector with central polarization and strain relief.

Max current :

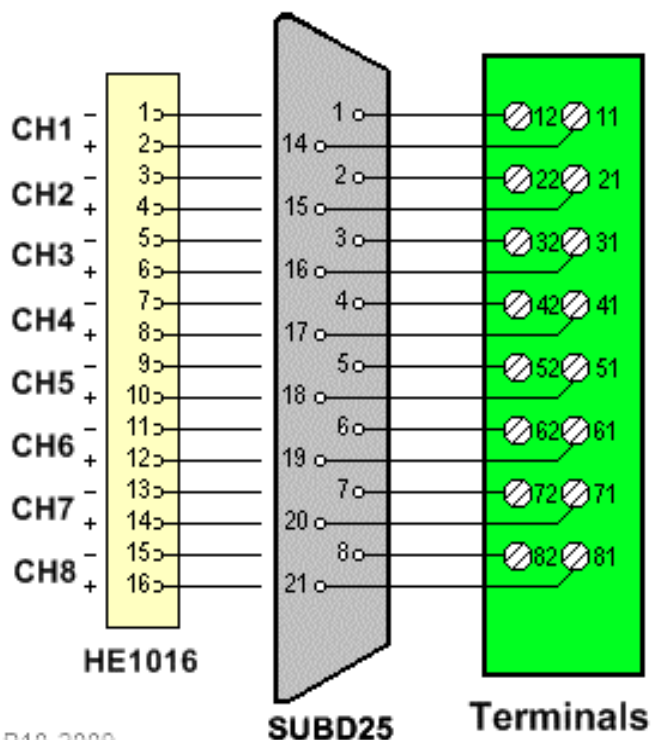
1A per channel

Humidity:

Up to 90% (no condensation)

Temperature range:

Operating: -10°C to 60°C
Storage: -20°C to 60°C



R10-2009

