

## ■ INT-DI8-PCI Interface Unit

8 channels - for pulse input

### Description :

The INT-DI8-PCI interface unit allows to connect up to 8-channel Pulse Input of a Digital Control System or a Programmable Logic Controller.

An optional RC filter is installed for each input, when the Input signal comes from a polarized contact.

The INT-DI8-PCI interface unit, is connected to the DCS or the PLC card via a SUBD25-pin male connector .

For connecting to the multifunction card (VE4015) of the DeltaV system (that has only 4 Pulse Inputs), two cables can be used:

One cable allowing to connect the 8 channels to two multifunction card (side by side), or one cable allowing to connect 4 channels to one card (in that case, 4 channels of the INT-DI8-PCI interface unit are not used).

### Product options :

**INT-DI8-PCI:** when the pulse Inputs come from a Voltage signal

**INT-DI8-PCI-RC:** with a filter RC, when the pulse inputs come from a polarized contact.

Option **ST:** instruments connected using Screw Terminals

Option **CCT:** instruments connected using Cage Clamp or spring Terminals)

Option **SUBD:** connection to the DCS or PLC using a SUBD 25 pin connector

Option **HE10:** connection to the DCS or PLC using a HE10 16 pin connector



### Technical specifications:

#### Dimensions:

Wide: 90 mm

Length: 80mm

Depth: 65mm

#### Weight:

100 g

#### Mounting:

Asymmetric or symmetric DIN rail

#### Signal wiring conductor section :

**TB1 :** ST or CCT: 26 to 16AWG ( 0.14 to 1.5mm<sup>2</sup>).

#### Connection to shield:

One M3 screw (OPTION SUBD)

#### Connection to the DCS :

##### OPTION SUBD

1x SUBD 25 pin male connector with UNC 4-40 lock

##### OPTION HE10

1x HE10-16 pins male connector with locks for female connector with Central polarization

#### Temperature range:

Operating : -10°C to 60°C

Storage: -20°C to 60°C

#### Humidity:

Up to 90% (no condensation)

#### Input specifications:

Input voltage range (Vdc)

Input resistance (KΩ)

RC filter (ms)

Max frequency (Hz)

#### INT-DI8-PCI

5 to 24Vdc

10 ohms

without

50 KHz

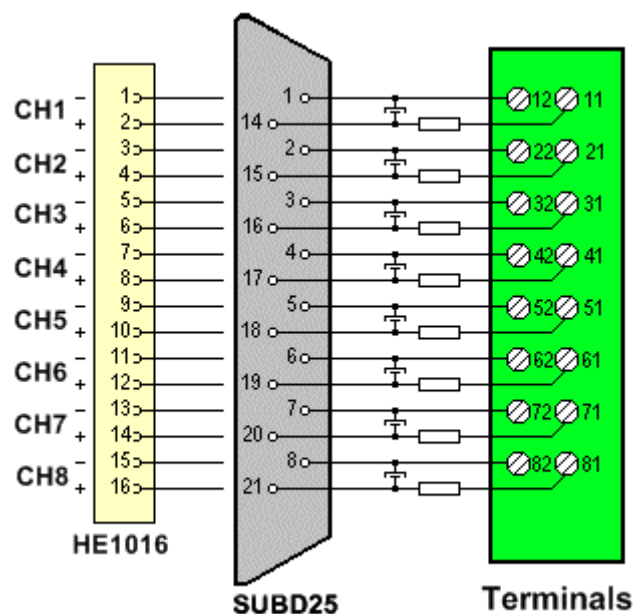
#### INT-DI8-PCI-RC

15 to 35 Vdc

2.2 Kohms

22 ms

10 Hz



R10-2009

