

■ INT-DI32-ISO*DC Interface Unit

32 channels - isolated discrete input for dry contact or proximity detector powered by DC voltage

Description :

The INT-DI32-ISO*DC interface unit provides a galvanic isolation between a DC logic voltage and the 32 channel discrete input card of a Digital Control System or a Programmable Logic Controller.

Each channel is isolated from each others and from the power supply of the DCS or the PLC.

The status of each channel is indicated by a yellow LED.

The INT-DI-32-ISO*DC interface unit, is connected to the DCS or the PLC D.I. card by a SUBD 37 pins male connector and a round cable shielded or not.

If a shielded cable is used (with a metallic cover), a screw marked Shield allows to ground it.

Three input voltages are available in standard:

INT-DI32-ISO24DC : inputs powered by 24Vdc.

INT-DI32-ISO48DC : inputs powered by 48Vdc.

INT-DI32-ISO120DC : inputs powered by 120Vdc.

* is the value of the DC input power supply. For a special value, please consult us

Product options :

Option **ST** : **INT-DI32-ISO*DC-ST** (Instruments connected using Screw Terminals)

Option **ST2.5** : **INT-DI32-ISO*DC-ST2.5** (Screw Terminals with capacity of 24AWG to 14 "0.22 to 2.5 mm²")

Option **CCT** : **INT-DI32-ISO*DC-CCT** (Instruments connected using Cage Clamp Terminals)

Technical specifications:

Dimensions:

Wide : 125 mm

Length : 185mm

Depth : 70mm

Weight:

400 g

Mounting:

Asymmetric or symmetric DIN rail

Signal wiring conductor section:

ST : Screw Terminals: 26 to 16AWG (0.14 to 1.5mm²).

CCT : Cage Clamp Terminals or spring terminals: 24 to 16AWG (0.14 to 1.5mm²).

Output specifications:

Maximum voltage: 40 Vdc

Maximum current: 15mA

Input specifications:

| | 24 Vdc | 48 Vdc | 120 Vdc |
|--|----------|----------|------------|
| Input voltage range (Vdc) | 20 to 28 | 40 to 56 | 100 to 140 |
| Input impedance (KΩ) | 3.9 | 8.2 | 33 |
| Minimum ON state voltage (Vdc) | 10 | 20 | 50 |
| Max current allowable for OFF state (mA) | 1 | 1 | 0.6 |
| Min current for ON state (mA) | 2.5 | 2.5 | 2.5 |
| Max turn ON/OFF time (μs) | 60/50 | 60/50 | 60/50 |
| Max frequency (KHz) | 0.9 | 0.9 | 0.7 |

Connection to the DCS:

One SUBD 37 pin male connector with UNC 4-40 female lock.

Two screw terminals (TB2) allow an optional connection to the 24vdc power supply return (-) of the DCS or the PLC.

One screw for shield connection

Temperature range:

Operating : -10°C to 60°C

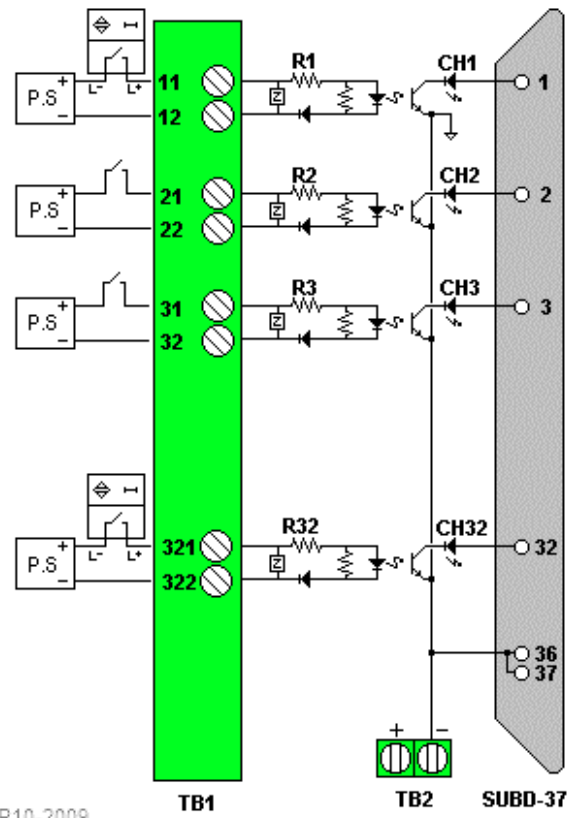
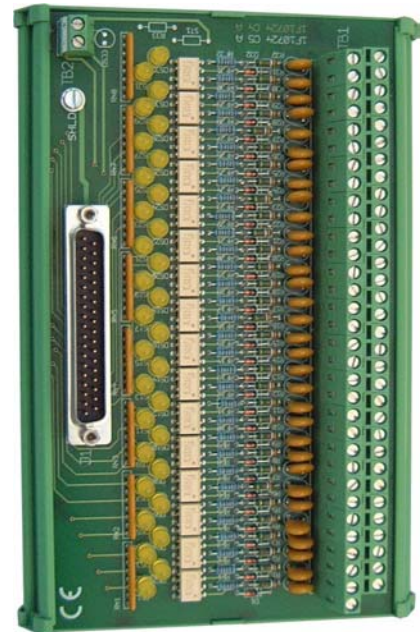
Storage: -20°C to 60°C

Humidity:

Up to 90% (no condensation)

Insulation voltage:

1500vac between input and output, between each input (if the external dc Power Supply is not the same).



R10-2009

