

■ INT-DI-322PROX Interface Unit

32 channels - discrete input for 2-wire proximity switch or dry contact

Description :

The INT-DI-322PROX allows to connect up to 32 proximity switches or dry contacts to a digital control system or a programmable logic controller.

It is possible to connect directly 2-wire proximity switches powered by 24Vdc.

The INT-DI-322PROX interface unit must be powered either by the same power supply than the DCS or the PLC card or by a separate power supply with the minus (-) connected to the minus of the system power supply

The status of each channel is indicated by a yellow LED.

The INT-DI-322PROX interface unit, is connected to the DCS or the PLC D.I. card using a SUBD 37 pins male connector and a round cable shielded or not.

If a shielded cable is used (metallic cover), a screw marked "Shield" allows to ground the unit.

Product options :

Option **ST**: INT-DI-322PROX-ST (contact connection using Screw Terminals)

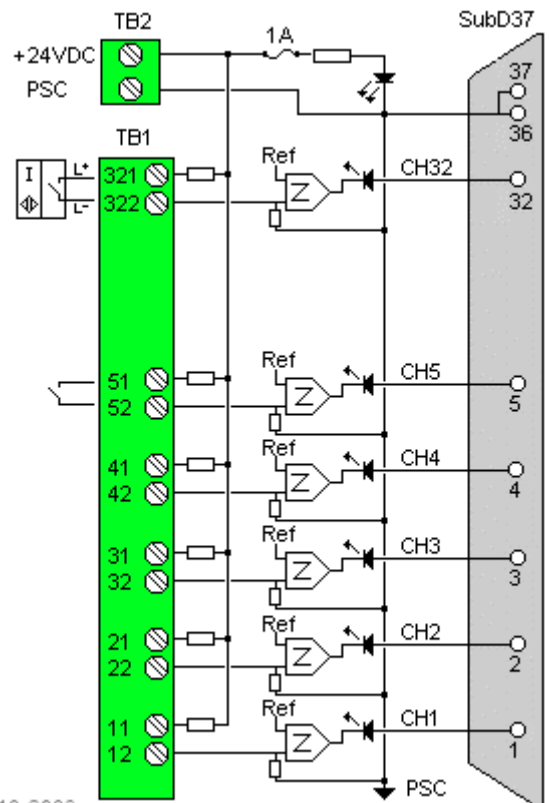
Option **CCT**: INT-DI-322PROX-CCT (contact connection using Cage Clamp or spring Terminals)



Technical specifications:

Dimensions :
Wide : 125mm
Length : 185mm
Depth : 70mm
Weight :
350 g
Mounting :
Asymmetric or symmetric DIN rail
Terminal conductor section:
TB1: ST: 26 to 16AWG or (0.14 to 1.5mm ²). CCT 24 to 14AWG (0.14 to 2.5mm ²)
TB2: 26 to 16AWG (0.14 to 1.5mm ²).
Connection to ground
One M3 screw
Connection to the DCS or PLC:
1 x SUBD 37 pin male connector with UNC4-40 female lock.

Contacts Power Supply (TB2)
Value: 24Vdc +/- 10%
Max consumption: 340mA
Fuse: 1A (5x20) quick action
Protected against over voltage and reverse polarity
Input specifications:
Input impedance: 4.8 Kohms
ON state current: 5 mA
Allowable OFF state current: 1.4 mA
Min ON state current: 1.7mA
Max frequency: 0.9 KHz
Type of proximity switch: 2 wires
Humidity:
Up to 90% (no condensation)
Temperature range:
Operating: -10°C to 60°C
Storage: -20°C to 60°C



R10-2009

