

## ■ INT-DI-322-F Interface Unit

32 channels - discrete input with fuse

### Description :

The INT-DO-322-F interface unit is used as a remote termination panel, for the 32 channel discrete input card of a digital control system or a programmable logic controller.

The INT-DO-322-F interface unit, is connected to the DCS or the PLC D.I. card using a SUBD 37 pins male connector and a round cable shielded or not. If a shielded cable is used ( with a metallic cover ), a screw marked Shield allows to ground it.

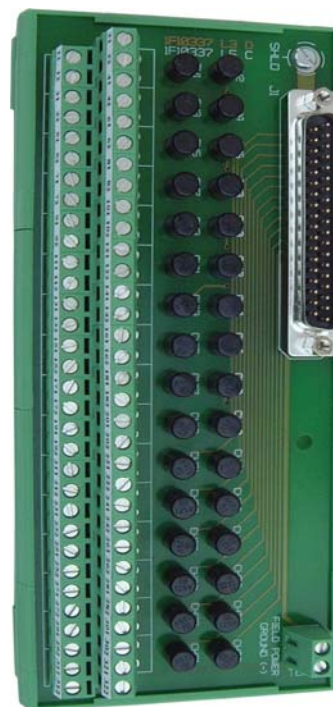
Each channel of the INT-DI-322-F interface unit is protected by a fuse\*

\*The value of the fuse is 0.25A in standard. For other value, please consult us.

### Product options :

Option **ST**: INT-DO-322-F-ST (contact connection using Screw Terminals)

Option **CCT**: INT-DO-322-F-CCT (contact connection using Cage Clamp or spring Terminals)



### Technical specifications:

#### Dimensions:

Wide : 77mm  
Length : 178mm  
Depth : 52mm

#### Weight:

150 g

#### Mounting:

Asymmetric or symmetric DIN rail

#### Terminal conductor section:

**TB1:** ST: 26 to 16AWG or (0.14 to 1.5mm<sup>2</sup>). CCT 24 to 14AWG (0.14 to 2.5mm<sup>2</sup>)  
**TB2:** 26 to 16AWG (0.14 to 1.5mm<sup>2</sup>).

#### Connection to the DCS or PLC:

1 x SUBD 37 pin male connector with UNC4-40 female lock.

#### Connection to ground:

One M3 screw

#### Input specifications:

Removable fuse: 0.25A 125V per channel

#### Withstanding voltage rating:

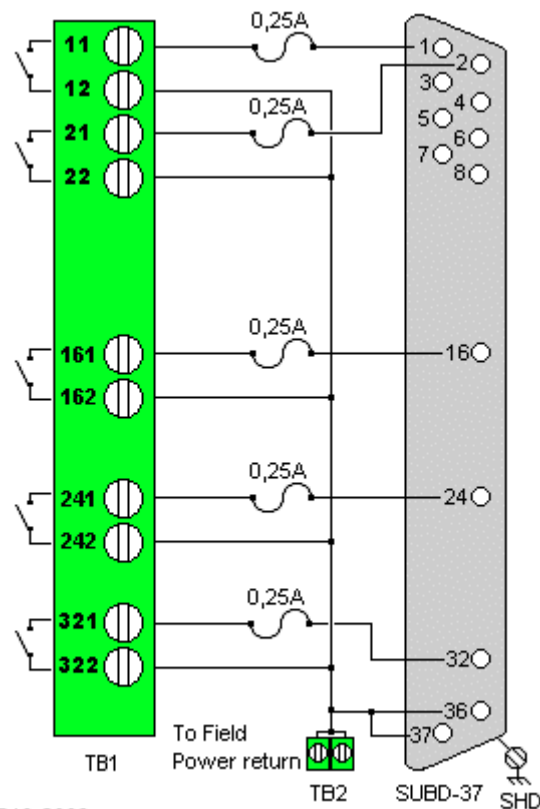
250 Vrms between non connected signals.

#### Humidity:

Up to 90% (no condensation)

#### Temperature range:

Operating: -10°C to 60°C  
Storage: -20°C to 60°C



R10-2009

