

# ■ INT-AO Interface Unit

8 channels - analog output 4-20mA

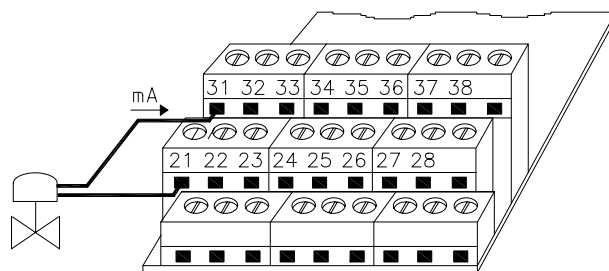
## Description :

The **INT-AO** allows to connect 4-20mA valve controllers to a digital control system or to a programmable logic controller. It is possible to connect up to 8 controllers (channel 1 to channel 8).



## Product options :

- Option **SUB**: INT-AO-SUBD: communication with the PLC or the DCS via a SUBD connector)
- Option **HE10**: INT-AO-HE10: communication with the PLC or the DCS via a HE10)
- Option **ST**: INT-AO-SUBD or HE10-**ST**: Controller connection using Screw Terminals)
- Option **CCT**: INT-AO-SUBD-**CCT**: Controller connection using Cage Clamp or spring Terminals, only with option SUBD



## Technical specifications:

### Dimensions:

Wide : 55 mm  
Length : 77mm  
Depth : 55mm

### Weight:

100 g

### Withstanding voltage rating:

250Vac between non connected signal

### Mounting:

Asymmetric or symmetric DIN rail

### Signal wiring conductor section:

**ST** : Screw Terminals : 26 to 16AWG (0.14 to 1.5mm<sup>2</sup>)  
**CCT** : Cage Clamp Terminals or spring terminals: 24 to 16AWG (0.14 to 1.5mm<sup>2</sup>)

### Connection to ground:

One M3 screw (OPTION SUBD)

### Connection to the DCS or PLC: (OPTION SUBD)

1 x SUBD 25 pin male connector with UNC 4-40 female lock.

### Connection to the DCS or PLC: (OPTION HE10)

1 x HE10-16 pin male connector with locks for female connector with central polarization and strain relief.

### Input specification:

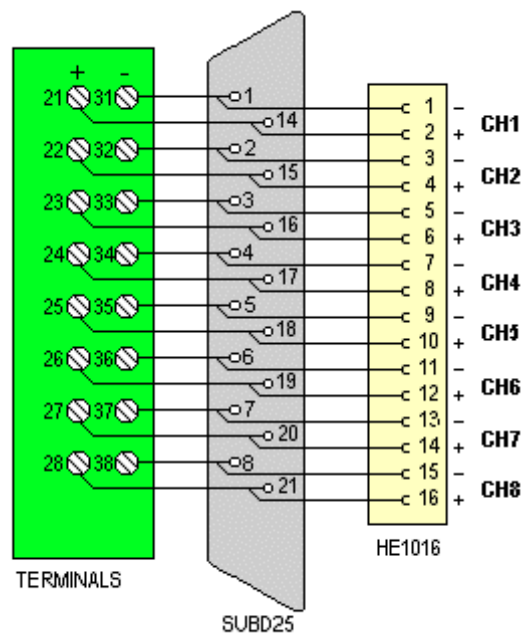
Max current per channel 1A

### Humidity:

Up to 90% (no condensation)

### Temperature range:

Operating: -10°C to 60°C  
Storage: -20°C to 60°C



R10-2009

