

■ INT-AI Interface Unit

8 channels - analog input 4-20mA for 2, 3, or 4-wire transmitter

Description :

The **INT-AI** allows to connect either 2 or 4 wire 4-20mA transmitters to a digital control system or to a programmable logic controller. It is possible to connect up to 8 transmitters (channel 1 to channel 8), using the 3 terminals (screw or cage clamp terminals) labelled (AT, mA and common).

The terminals of the lower row and the terminals numbered x9 are tied together and must be connected to the field power supply common (-) 24Vdc.

The terminals of the middle row are dedicated to the transmitters power supply.

The terminals of the upper row are dedicated to the mA input..



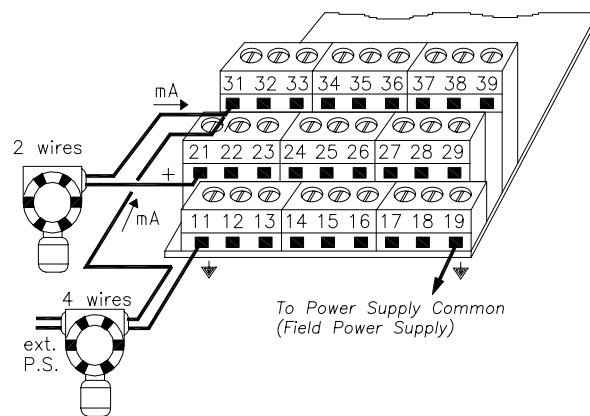
Product options :

Option **SUB** : INT-AI-SUBD (communication with the PLC or the DCS via a SUBD connector)

Option **HE10** : INT-AI-HE10 (communication with the PLC or the DCS via a HE10)

Option **ST** : INT-AI-SUBD or HE10-ST (Transmitter connection using Screw Terminals)

Option **CCT** : INT-AI-SUBD-CCT (Transmitter connection using Cage Clamp or spring Terminals, only with option SUBD)



Technical specifications:

Dimensions:

Wide: 55 mm
Length: 77mm
Depth: 55mm

Weight:

100 g

Withstanding voltage rating:

250Vac between non connected signal

Mounting:

Asymmetric or symmetric DIN rail

Signal wiring conductor section:

ST : Screw Terminals : 26 to 16AWG (0.14 to 1.5mm²)

CCT : Cage Clamp Terminals or spring terminals: 24 to 16AWG (0.14 to 1.5mm²)

Connection to ground:

One M3 screw (OPTION SUBD)

Connection to the DCS or PLC:

(OPTION SUBD)

1 x SUBD 25 pin male connector with UNC 4-40 female lock.

Connection to the DCS or PLC:

(OPTION HE10)

1 x HE10-16 pin male connector with locks for female connector with central polarization and strain relief.

Input specification:

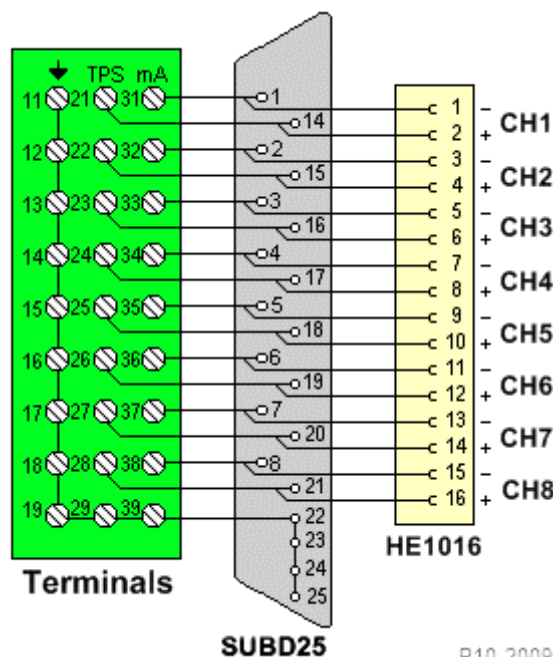
Max current per channel 1A

Humidity:

Up to 90% (no condensation)

Temperature range:

Operating: -10°C to 60°C
Storage: -20°C to 60°C



R10-2009

