

■ INT-AI-F Interface Unit

8 channels - analog input 4-20mA with fuse for 2, 3, or 4-wire transmitter

Description :

The **INT-AI-F** interface unit allows to connect up to eight 4-20mA transmitters to a digital control system or a programmable logic controller.

The INT-AI-F interface unit accepts 2w, 3w or 4w transmitters.

There are three terminals available per channel allowing to connect either 2W, 3W or 4W transmitters.

Terminals labelled 2x (x is the number of the channel) are dedicated to Transmitter Power Supply (24Vdc).

Terminals labelled 3x are dedicated to the mA Input.

Terminals labelled 1x are connected to the minus (-) of the 24Vdc field power supply.

Terminal TB2 allows to connect these terminals to the return (-) of the 24Vdc field power supply.

Each channel is protected by a removable fuse.

Product options :

Option **SUB** : INT-AI-F-SUBD (communication with the PLC or the DCS via a SUBD connector)

Option **HE10** : INT-AI-F-HE10 (communication with the PLC or the DCS via a HE10)

Option **ST** : INT-AI-F-SUBD or HE10-ST (Transmitter connection using Screw Terminals)

Option **CCT** : INT-AI-F-SUBD or HE10-CCT (Transmitter connection using Cage Clamp or spring Terminals)



Technical specifications:

Dimensions :

Wide: 80 mm

Length: 90mm

Depth: 65mm

Weight :

100 g

Withstanding voltage rating

250Vac between non connected signal

Mounting :

Asymmetric or symmetric DIN rail

Signal wiring conductor section:

ST : Screw Terminals : 26 to 16AWG (0.14 to 1.5mm²)

CCT : Cage Clamp Terminals or spring terminals: 24 to 16AWG (0.14 to 1.5mm²)

Connection to ground

One M3 screw (OPTION SUBD)

Connection to the DCS or PLC: (OPTION SUBD)

1 x SUBD 25 pin male connector with UNC 4-40 female lock.

Connection to the DCS or PLC: (OPTION HE10)

1 x HE10-16 pin male connector with locks for female connector with central polarization and strain relief.

Fuse protection :

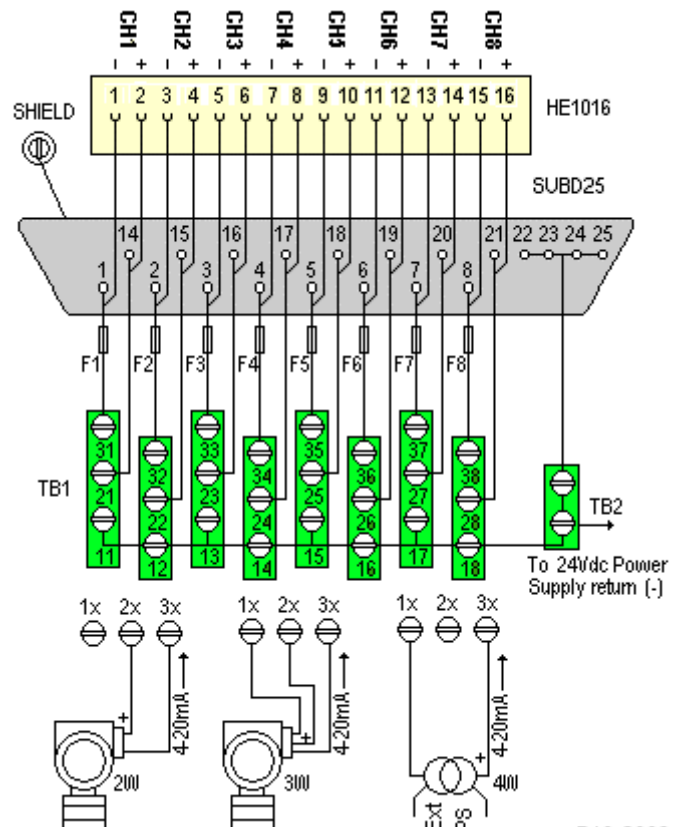
100 mA quick action (125V / 300A) per channel

Humidity:

Up to 90% (no condensation)

Temperature range:

Operating: -10°C to 60°C
Storage: -20°C to 60°C



R10-2009

