

■ FC8316-1

16 channels - mounting panel for galvanic isolating modules - FC series



Description:

The **FC8316-1** panel provides mounting and connection facilities for isolating modules FC series, with a minimum of space. It is possible to install up to 16 modules providing them a 24Vdc power supply. For redundancy purpose, two power supplies can be connected on the panel using the terminal TB1.

The connection to the DCS « Digital Control System » or to the PLC « Programmable Logic Controller », is done using : One cable with a SUBD37 pin Female connector at one side and a suitable connector or free flying wires matching with the I/O card used, at the other side.

The connection of signals coming from the field is done directly on the module itself.

Technical specifications:

Dimensions:

Wide : 125 mm
Length : 335mm
Depth : 65mm without module

Weight:

500g without module
Add 100g per module

Mounting:

Asymmetric or symmetric DIN rail

Power Supply specifications

Allows redundancy of P.S
Range: 21Vdc to 28Vdc
Protection against over voltage by transil and 2,5A fuse (5x20)
Protection against reverse polarity
Power ON indicated by green LED
Consumption without module: 12 mA

Temperature range:

Operating: -10°C to 60°C
Storage: -20°C to 60°C

Humidity:

Up to 90% (no condensation)

Connection to the DCS or the PLC

One SUBD37 pin male connector with UNC 4-40 lock for female connector.

Connection to shield:

One M3 screw

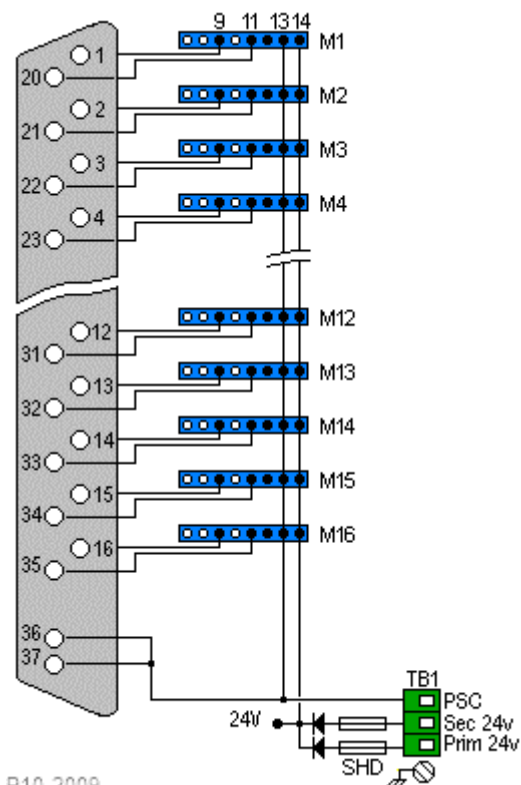
Connection to 24vdc Power Supply:

One removable 3 contact connector TB1).
Conductor section: 24 to 12AWG(0.2 to 2.5 mm²)

Compatible modules:

Only Single channel Analog Input modules:
FC0181: Low level "Tc" input
FC0181-L: Low level "Tc" input with Linearization
FC0182: Low level "RTD" input
FC0184: High level 4-20mA input

All these modules can be mixed on the Same panel.



R10-2009

