

Description :

The CIA-PEB03 allows to connect easily 30 Discrete Inputs from an existing Hartmann & Braun card type PEB03, to a D.C.S or a P.L.C Discrete Input card.

The Contronic cable (PK151 or PK351) used by the PEB03 Contronic card is kept in place. The SUBD50F connector of this cable is then connected on the J2 connector of the CIA-PEB03 unit.

The connection to the D.C.S or a P.L.C Discrete Input card is done using a shielded cable, with a SUBD37F connector at one end, and labelled wires or a suitable connector matching with the connector or the terminals of the DI card, at the other end.

Each contact is powered by the internal power supply of the DI card.


Specifications:
Mounting:

Symmetric DIN rail (thickness 1.5mm recommended).

Size :

Width: 46mm, Height: 140mm, Depth: 40mm

Weight:

200g

Wiring:

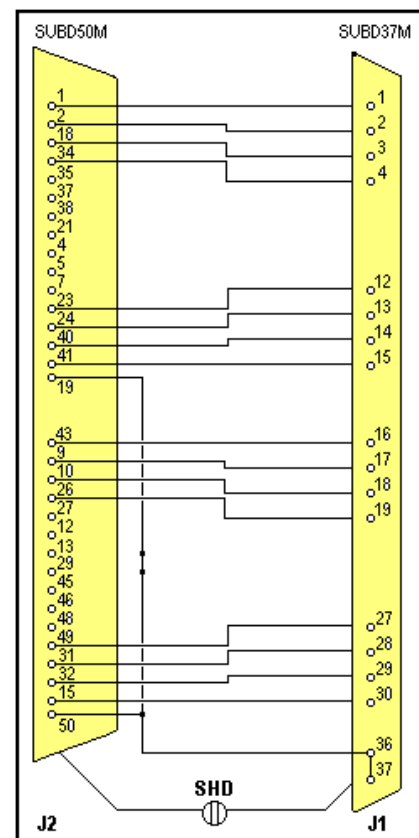
1x SUBD37M connector (J1) with UNC 4-40 female lock for the connection to the DCS of the PLC I/O card.

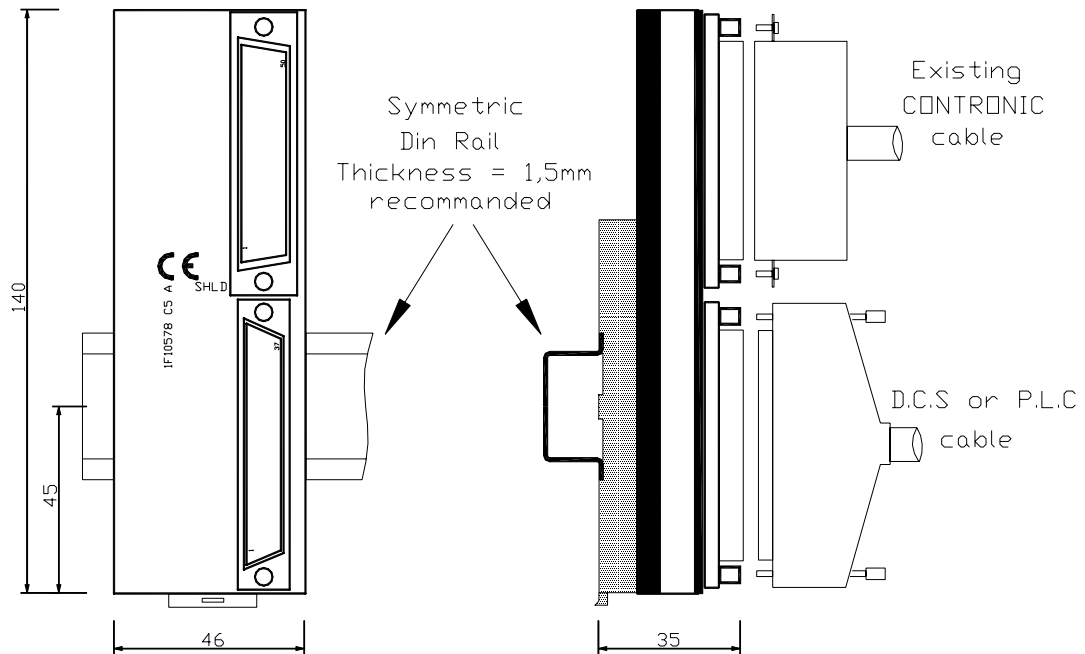
1x screw terminal for the connection to the SHIELD.

1x SUBD50M connector (J2) with M2.5 female lock that receives the existing Contronic cable.

Operating temperature range:

0 à 60°C





Mounting on symmetric DIN rail