

Description :

The CIA-PEB03-ISO*DC allows to connect easily 30 Discrete Inputs from an existing Hartmann & Braun card type PEB03, to a D.C.S or a P.L.C Discrete Input card.

The Contronic cable (PK151 or PK351) used by the PEB03 Contronic card is kept in place. The SUBD50F connector of this cable is then connected on the J2 connector of the CIA-PEB03-ISO*DC unit.

The connection to the D.C.S or a P.L.C Discrete Input card is done using a shielded cable, with a SUBD37F connector at one end, and labelled wires or a suitable connector matching with the connector or the terminals of the DI card, at the other end.

Each input is isolated from the system, and can be powered from the CIA-PEB03-ISO*DC unit (TB1 terminal).



*Means the value of the DC input power supply.24Vdc is the standard value. For a special value, contact us.

Specifications:

Mounting:

Symmetric DIN rail (thickness 1.5mm recommended).

Size :

Width: 46mm, Height: 140mm, Depth: 40mm

Weight:

200g

Wiring:

1x SUBD37M connector with UNC 4-40 female lock for the connection to the DCS of the PLC I/O card.

1x removable connector for the dry contact or proximity switch external power supply (wire 0.2 à 2.5mm²).

1x screw terminal for the connection to the SHIELD.

1x SUBD50M connector with M2.5 female lock that receives the existing Contronic cable.

Isulation voltage:

1000 Vdc between each input and the system.

Operating temperature range:

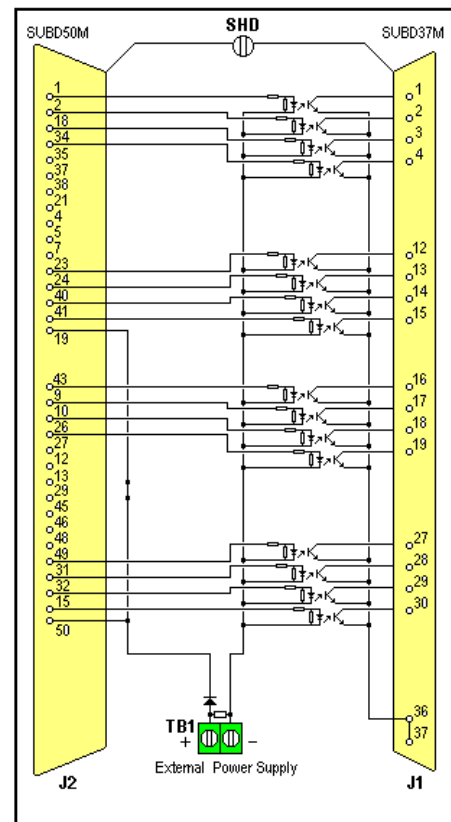
0 à 60°C

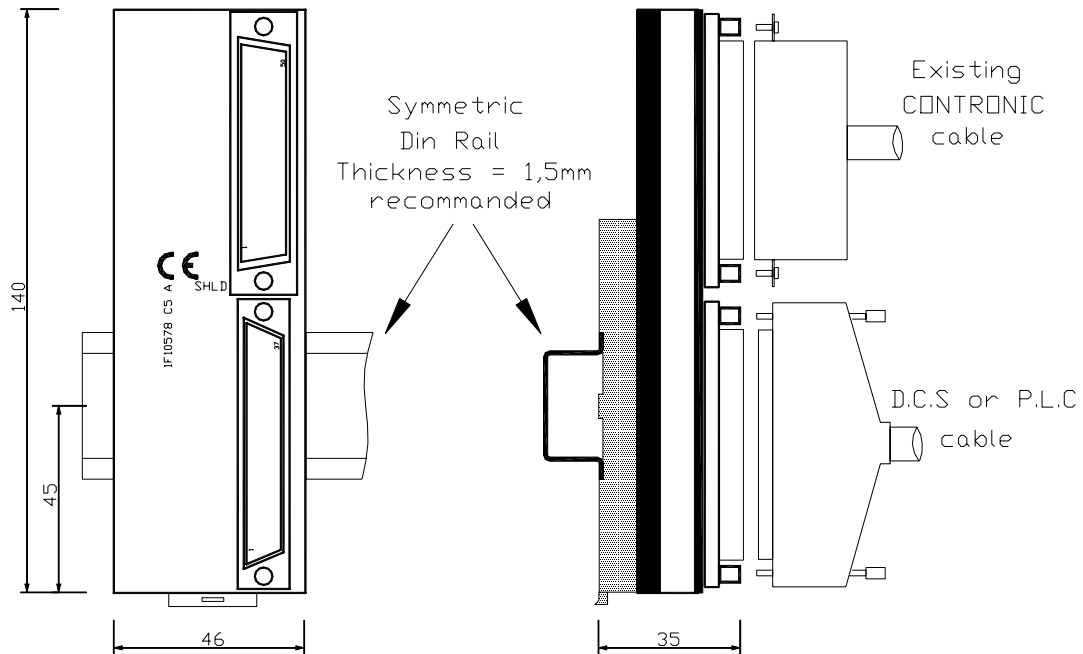
Output specifications:

Max voltage / Max current 40Vdc / 15mA

Input specification:

External Power Supply:	CIA-PEB03-ISO24DC 20Vdc to 28Vdc
Max Power Supply current:	250 mA per interface
Input impedance per channel:	3.3Kohms
Allowable max Off-state current:	1.4mA
Max frequency:	0.9KHz
Max turn on/off time:	60µs / 50µs





Mounting on symmetric DIN rail