

Description :

The CIA-PAB02-ER allows to connect easily 15 Discrete Outputs from an existing Hartmann & Braun card type PAB02, to a D.C.S or a P.L.C Discrete Output card.

The Contronic cable (PK141 or PK341) used by the PAB02 Contronic card is kept in place. The SUBD50F connector of this cable is then connected to the J2 connector of the CIA-PAB02 unit.

The connection to the D.C.S or a P.L.C Discrete Output card is done with a shielded cable, with a SUBD25F connector at one end, and labelled wires or a suitable connector matching with the terminals of the DO card, at the other end.

The dry contacts can be powered from the CIA-PAB02-ER using the TB1 connector. If the sum of the output currents exceeds 2A, or if there is more than one different contacts power supply (for exemple 24Vdc and 24Vac), the soldered jumpers (ST1 to ST6) must be removed, the contacts are then powered per group of four, from the cable.



Specifications :

Mounting:

Symmetric DIN rail (thickness 1.5mm recommended) .

Size :

Width: 46mm, Height: 140mm, Depth: 40mm

Weight:

200g

Wiring :

1x SUBD25M connector with UNC 4-40 female lock for the connection to the DCS of the PLC I/O card.

1x removable connector for powering the dry contacts.

1x screw terminal for the connection to the SHIELD.

1x SUBD50M connector with M2.5 female lock that receives the existing Contronic cable.

Insulation voltage:

1000 Vdc between each output and the system.

Operating temperature range:

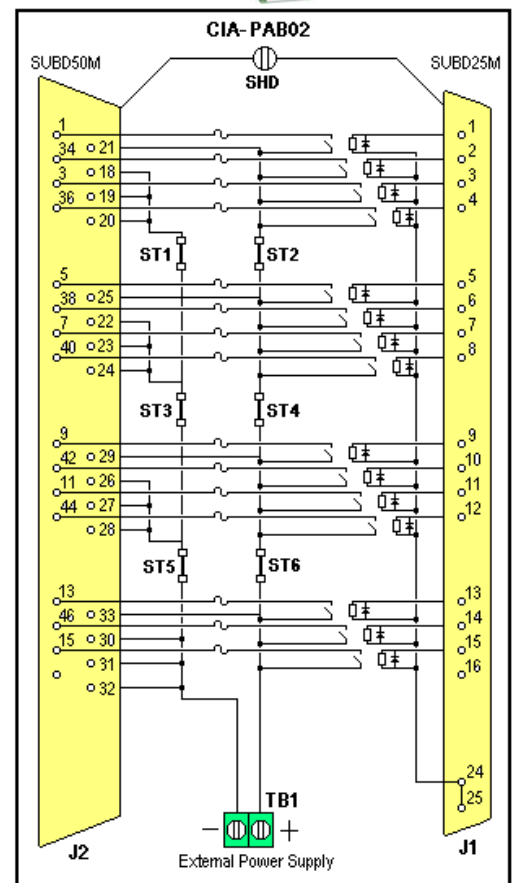
0 to 50°C in a ventilated area

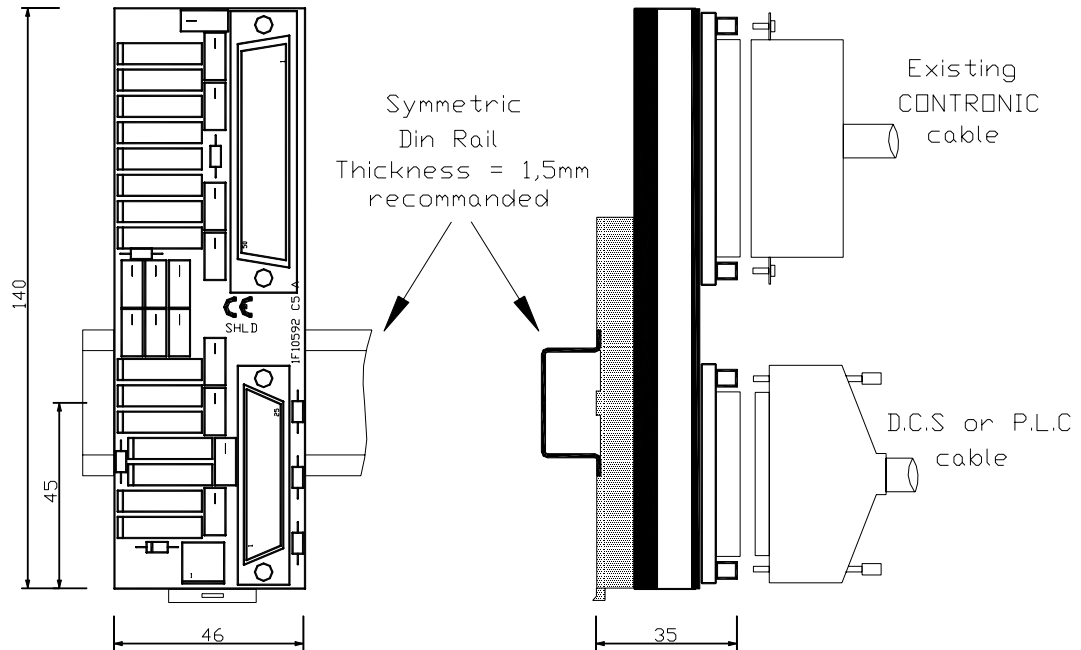
Coil / relay characteristics

Nominal Voltage	24Vdc
Operate Voltage	16.8Vdc
Release Voltage	2.4Vdc
Coil Resistance	4800 ohms

Contact data:

Contact type	NO
External Power Supply	19 to 60 Vcc/Vac
Permissible continuous current	0.8A/24V, 0.3A/60Vdc
Min current, min voltage	1mA, 5Vdc
Expective life (resistive load)	2 x 10 ⁶ cycles (24V,0.5A)
Max frequency (0.8A/24Vdc)	3Hz
Contact protection	1A quick action fuse





Mounting on symmetric DIN rail