

### Description :

The CIA-PAA02 allows to connect easily three or four 4-20mA Analog Output from an existing Hartmann & Braun card type PAA02, PAA22 or PAA01, to a D.C.S or a P.L.C Analog Output card ( 8 channels).

The Contronic cable (PK126 or PK326) used by the PAA02, PAA22 or PAA01 Contronic card is kept in place. The SUBD25F connector of this cable is then plugged to the J2 connector of the CIA-PAA02 unit. The first four channels of the D.C.S / P.L.C Analog Output card are then used.

It is possible to connect the existing cable of a second PAA02, PAA22 or PAA01 Contronic card to the J3 connector of the CIA-PAA02 unit. In that case, the last four channels of the D.C.S / P.L.C Analog Output card are used.

The connection to the D.C.S or a P.L.C Analog Output card is done with a shielded cable, with a SUBD25F connector at one end , and labelled wires or a suitable connector matching with the terminals of the AO card, at the other end.



### Specifications :

#### **Mounting:**

Symmetric DIN rail (thickness 1.5mm recommended) .

#### **Size :**

Width: 46mm, Height: 140mm, Depth: 40mm

#### **Weight:**

200g

#### **Wiring :**

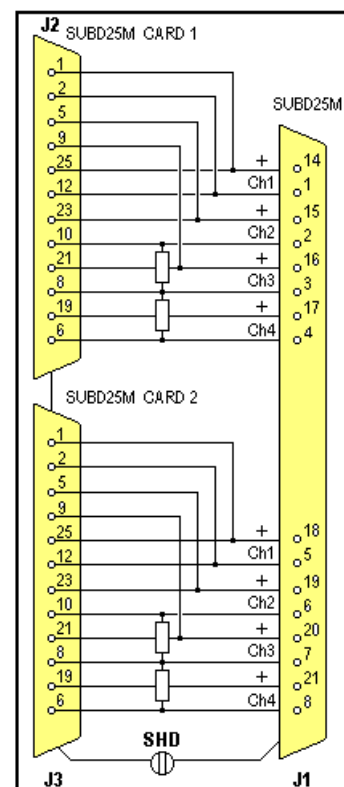
1x SUBD25M (J1) connector with UNC 4-40 female lock for the connection to the DCS of the PLC I/O card.

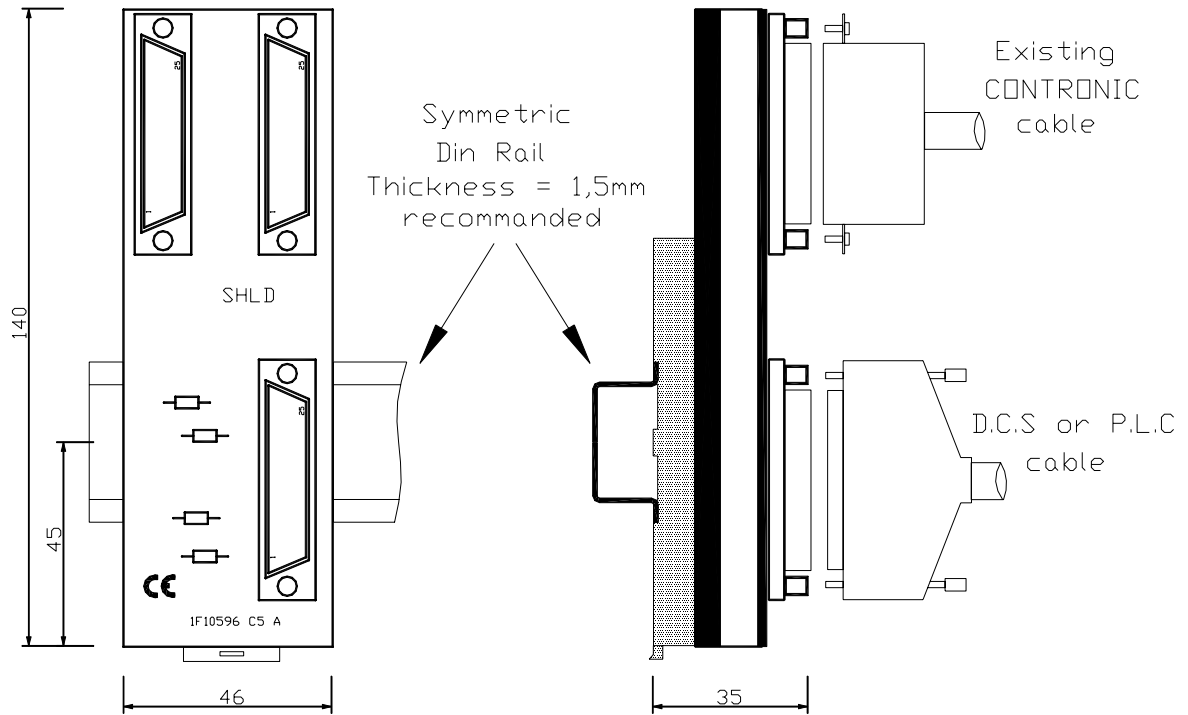
1x screw terminal for the connection to the SHIELD.

2x SUBD25M (J2 and J3) connector with M2.5 female lock that receives the existing Contronic cables.

#### **Operating temperature range:**

0 à 60°C





Mounting on symmetric DIN rail